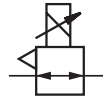


VP10 Proportional pressure control valves G 1/4 or 1/4 NPT

- Reliable, rugged, open loop control
- Proportional I/P and E/P converters
- Minimum vibration effects
- IP65 environmental protection
- Mounting bracket and connector included



Technical features

Medium:

Oil free, dry air, filtered to 5 µm

Output Pressure:

- 0,2 ... 1 bar
- 0,2 ... 2 bar
- 0,2 ... 4 bar
- 0,2 ... 8 bar

See ordering options

Supply pressure:

At least 0,7 bar above maximum required output pressure.
up to 2 bar instruments: max 5 bar
up to 8 bar instruments:
max 10 bar

Flow capacity:

> 300NL/min forward & relief flow

Air consumption:

up to 1 bar: 2,8 NL/min
up to 2 bar: 4,0 NL/min
up to 4 bar: 7,5 NL/min
up to 8 bar: 9,0 NL/min

Linearity:

≤ 0,5% of span

Hysteresis:

≤ 0,5% of span

Response Time:

<0,35 seconds for 10 ... 90% or
90 ...10% of output pressure into
a 10cc load (1 bar range
instruments)

Temperature Sensitivity:

< 0,1% of span/°C between
-40 ... +85°C

Supply sensitivity:

<0,075% span output change
per % supply pressure change

Port sizes:

Main ports: G 1/4 or 1/4 NPT
Integral gauge ports:
G 1/4 or 1/4 NPT

Operating Temperature:

-40 ... +85°C

Air supply must be dry enough
to avoid ice formation at
temperatures below +2°C.

I.P. Rating:

IP65 in normal operation

Weight:

1,0 kg

Mounting Position:

Surface mounting bracket
provided.

Alternative mounting options
available

Vibration Effect:

5% of span: 4mmp-p 5 ... 15Hz
and 2g sine 15 ... 150Hz.

Materials

Body: Passivated zinc
die-casting, epoxy painted
Cover: Glass reinforced nylon
Diaphragms: Nitrile

Electrical parameters

Input Signal	mA versions 1 ... 4 bar: 2 wire 4 ... 20 mA; 3 wire 4 ... 20 mA +12 ... 24 V mA versions 6 ... 8 bar: 3 wire 4 ... 20 mA +12 ... 24 V voltage versions 1 ... 4 bar: 2 wire 0 ... 10 V; 3 wire 0 ... 10 V +12 ... 24 V voltage versions 6 ... 8 bar: 3 wire 0 ... 10 V +12 ... 24 V
Failure Mode	Output pressure falls to zero signal state when electrical supply fails
Connections	30 mm square connector provided (DIN 43650, form A) mountable in four orientations
Span/Zero	Adjustable up to 20 % output range - further information available

Option selector

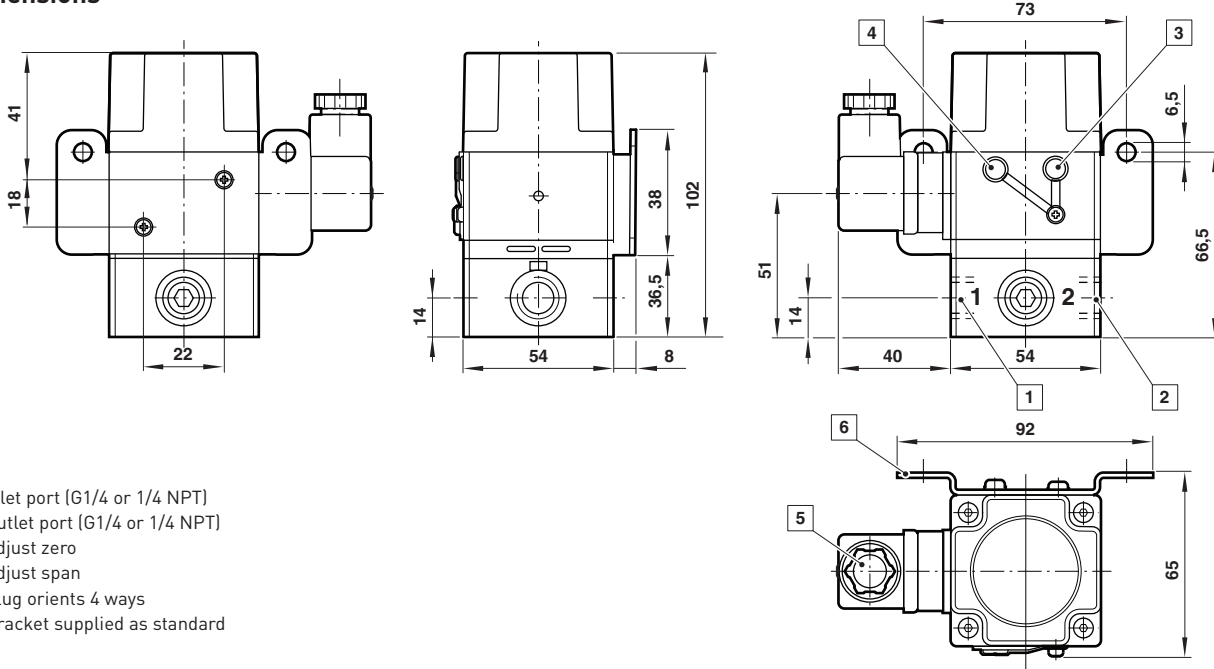
VP10★★★★★0★A00

Pressure range	Substitute
0,2 ... 1 bar / 3 ... 15 psi	01
0,2 ... 2 bar / 3 ... 30 psi	02
0,2 ... 4 bar / 3 ... 60 psi	04
0,2 ... 6 bar / 3 ... 90 psi	06
0,2 ... 8 bar / 3 ... 120 psi	08
Unit of Measure	Substitute
bar	B
psi	P

Power supply	Substitute
None required	0
12 / 24 V (Required for 6 & 8 bar units)	1
Input signal	Substitute
0 ... 10 V / 1 ... 10 V	1
4 ... 20 mA	4
Port size	Substitute
1/4 NPT	K
1/4 BSP	J

Other options available:

- Alternative input signal ranges
- Alternative pressure ranges
- Flying Leads
- Conduit entry with flying leads
- Junction box (M20 / 1/2" NPT)
- Intrinsically safe certification
- 50 mm pipe mounting bracket
- Captured exhaust
- Reverse acting
- Split range

Dimensions


- 1 Inlet port (G1/4 or 1/4 NPT)
- 2 Outlet port (G1/4 or 1/4 NPT)
- 3 Adjust zero
- 4 Adjust span
- 5 Plug orients 4 ways
- 6 Bracket supplied as standard

Warning

These products are intended for use in industrial compressed air systems only. Do not use these products where pressures and temperatures can exceed those listed under »**Technical features**«.

Before using these products with fluids other than those specified, for non-industrial applications, life-support systems, or other applications not within published specifications, consult NORGREN.

Through misuse, age, or malfunction, components used in fluid power systems can fail in various modes.

The system designer is warned to consider the failure modes of all component parts used in fluid power systems and to provide adequate safeguards to prevent personal injury or damage to equipment in the event of such failure.

System designers must provide a warning to end users in the system instructional manual if protection against a failure mode cannot be adequately provided.

System designers and end users are cautioned to review specific warnings found in instruction sheets packed and shipped with these products.