

PUSH-IN FLOW REGULATORS T15 Series

Uni-directional - In-line
 Ø 3, 4, 5, 6, 8, 10, 12 O/D metric tube - Ø 1/8, 5/32, 3/16, 1/4, 5/16, 3/8, 1/2" O/D inch tube



- High flow performance
- Suitable for panel/wall mounting and manifold
- Adjustment can be locked
- Captive regulator needle will not blow out when unscrewed
- Adjusting knob position
- Releasable grab ring technology for a compact and superior fitting design
- Red release sleeve indicating metric tube sizes
- Grey release sleeve indicating inch tube sizes
- Reliable and corrosion resistant

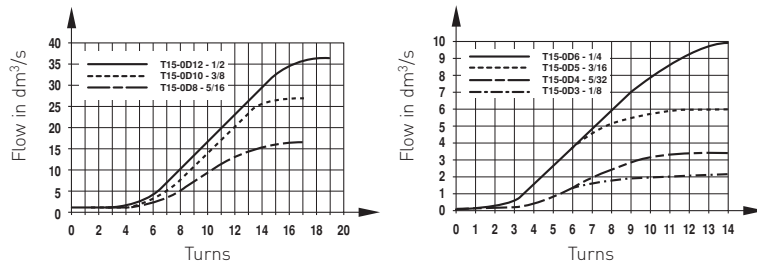
TECHNICAL DATA

- Medium:**
Compressed air, filtered
- Operation:**
Uni-directional
- Operating pressure:**
0,1 to 10 bar maximum
- Ambient temperature:**
-20°C to +80°C
- Consult our Technical Service for use below +2°C
- Mounting:**
In-line. Panel mounted by hexagonal mounting nut. Wall mounted by through-holes in regulator body. Manifold by quick connection

MATERIALS

- OD 3, 4, 6, 8, 10
- OD 1/8, 5/32, 1/4, 5/16, 3/8:
- Body: plastic PBT
- Release sleeve, nut, knob: plastic POM
- Seals: silicone free nitrile seal
- External metal parts: nickel plated brass
- Internal parts: brass
- Spring: stainless steel
- Grab ring: stainless steel, BS 1440 Pt 2, grade 301.S21
- OD 5, 12, 3/16, 1/2:
- Collet: nickel plated brass

Flow vs turns at 6 bar - flow in dm³/s ANR



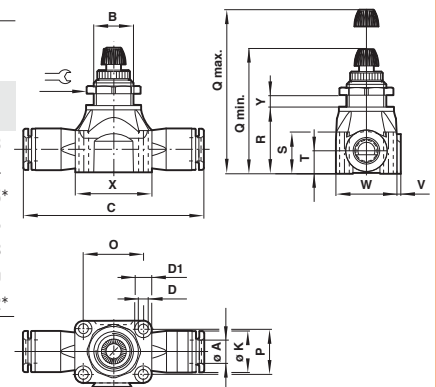
Tube size		Max. regulated flow factor C/Cv**	Flow factor C/Cv**	Cracking pressure (bar)	Minimum operating pressure (bar)	kg	MODELS	
Inch	Metric						Inch	Metric
1/8"	3 mm	0,35/0,09	>0,35/0,09	0,1	0,1	0,013	T15Y0001	T15P0003
5/32"	4 mm	0,45/0,11	>0,45/0,11	0,1	0,1	0,013	T15Y0002	T15P0004
3/16"	5 mm	0,8/0,2	>0,8/0,2	0,1	0,1	0,032	T15Y0003*	T15P0005*
1/4"	6 mm	1,4/0,34	>1,4/0,34	0,1	0,1	0,028	T15Y0004	T15P0006
5/16"	8 mm	2,2/0,54	>2,2/0,54	0,1	0,1	0,047	T15Y0005	T15P0008
3/8"	10 mm	3,9/0,96	>3,9/0,96	0,1	0,1	0,093	T15Y0006	T15P0010
1/2"	12 mm	5,4/1,32	>5,4/1,32	0,1	0,1	0,143	T15Y0007*	T15P0012*

* Available only as collet tube connection.

** C measured in dm³/(s.bar)

A	B	C	ØD	D ₁	K	O	P	Q	Q max	R	S	T	V	W	X	Y	MODELS	MODELS		
Inch	Metric							max	min								Inch	Metric		
1/8	3	M10x1,0	46	2,4	4,2	13	11	13	9	35	30,5	17	11,1	6,2	0,9	13	17	1,5	T15Y0001	T15P0003
5/32	4	M10x1,0	46	2,4	4,2	13	11	13	9	35	30,5	17	11,1	6,2	0,9	13	17	1,5	T15Y0002	T15P0004
3/16	5	M12x1	49	3,5	6,2	15	13,2	19	11	45,5	39	21	14,7	7,5	1,1	17	25	4	T15Y0003*	T15P0005*
1/4	6	M12x1	55	3,5	6,2	15	13,2	19	11	45,5	39	21	14,7	7,5	1,1	17	25	4	T15Y0004	T15P0006
5/16	8	M14x1,5	65,5	3,5	6,2	18	14,8	21	15,5	52	44	23,5	14,7	8,1	1,3	21,5	27	4	T15Y0005	T15P0008
3/8	10	M20x1,5	76,8	4,4	7,9	24	17,8	26,5	19	61,5	53	29	18,9	10	1,6	26,5	34	5	T15Y0006	T15P0010
1/2	12	M20x1,5	92,5	4,4	7,9	24	22,2	28,5	22,5	66	55,5	32	22,2	12,1	1,6	30	36	5	T15Y0007*	T15P0012*

* Available only with collet tube connection



For further information



www.norgren.com/info/en7-073