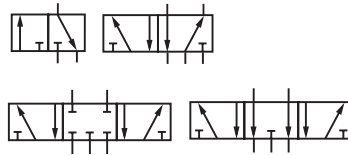


VR030, VRX30, VRX33 (SUPER X)

3/2, 5/2 and 5/3 manually and mechanically actuated spool valves

1/8" and 1/4"

- Wide range of operators**
- Suitable for multi-directional flow and dual supply applications**
- High flow capacity**
- Wide temperature range**
- Shock and vibration tested to EN 61373, Category 1, class A and B**



Technical features

Medium:
Compressed air, filtered, lubricated and non-lubricated

Operation:
Spool valve, directly and indirectly actuated

Mounting:
Through-holes in valve body

Operating pressure:
Max. 10 bar [145 psi max.]

Ambient temperature:
-30 ... +70°C [-22 ... +158°F]

Air supply must be dry enough to avoid ice formation at temperatures below +2°C [+35°F].

Flow:

Size	l/min	Cv	Kv
1/8"	335	0,34	0,295
1/4"	965	0,98	0,351

Materials

Body: diecast zinc
End cover: aluminium or glass-filled nylon
Seals: nitrile rubber

Technical data

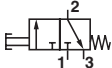
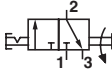
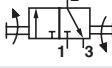
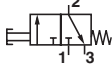
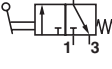
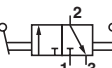
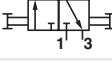
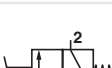
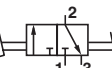

3/2 mechanical valves

Symbol	Port size	Actuation	Operating pressure (bar)	Operating force (N)	Weight (kg)	Spares kit	Dimension No.	Model
	G1/8	Plunger/spring	- 0,9 ... 10	31	0,14	VR03 8408 02	1	VR03 0400 02
	1/8 PTF	Plunger/spring	- 0,9 ... 10	31	0,14	VR03 8408 02	1	VR03 0400 22
	G1/4	Plunger/spring	- 0,9 ... 10	53	0,34	VR03 8602 02	22	VR03 0600 02
	1/4 PTF	Plunger/spring	- 0,9 ... 10	53	0,34	VR03 8602 02	22	VR03 0600 22
	G1/8	Roller/spring	- 0,9 ... 10	31	0,14	VR03 8408 02	2	VR03 0402 02
	1/8 PTF	Roller/spring	- 0,9 ... 10	31	0,14	VR03 8408 02	2	VR03 0402 22
	G1/4	Roller/spring	- 0,9 ... 10	61	0,34	VR03 8602 02	23	VR03 0602 02
	1/4 PTF	Roller/spring	- 0,9 ... 10	61	0,34	VR03 8602 02	23	VR03 0602 22
	G1/8	Roller lever/spring	- 0,9 ... 10	18	0,21	VR03 8408 02	4	VR03 0293 02
	1/8 PTF	Roller lever/spring	- 0,9 ... 10	18	0,21	VR03 8408 02	4	VR03 0293 22

5/2 mechanical valves

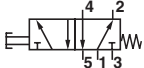
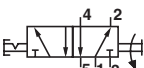

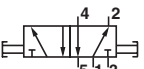
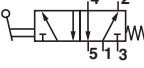

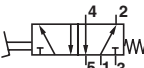
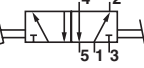
Symbol	Port size	Actuation	Operating pressure (bar)	Operating force (N)	Weight (kg)	Spares kit	Dimension No.	Model
	G1/8	Plunger/spring	- 0,9 ... 10	54	0,25	VR03 8408 02	5	VRX3 04400 2
	1/8 PTF	Plunger/spring	- 0,9 ... 10	54	0,25	VR03 8408 02	5	VRX3 0440 22
	G1/4	Plunger/spring	- 0,9 ... 10	62	0,46	VR03 8602 02	24	VRX3 0640 02
	1/4 PTF	Plunger/spring	- 0,9 ... 10	62	0,46	VR03 8602 02	24	VRX3 0640 22
	G1/8	Roller/spring	- 0,9 ... 10	54	0,25	VR03 8408 02	6	VRX3 0442 02
	1/8 PTF	Roller/spring	- 0,9 ... 10	54	0,25	VR03 8408 02	6	VRX3 0442 22
	G1/4	Roller/spring	- 0,9 ... 10	67	0,46	VR03 8602 02	25	VRX3 0642 02
	1/4 PTF	Roller/spring	- 0,9 ... 10	67	0,46	VR03 8602 02	25	VRX3 0642 22
	G1/8	Roller lever (heavy duty)/spring	- 0,9 ... 10	31	0,29	VR03 8408 02	7	VRX3 0393 02
	1/8 PTF	Roller lever (heavy duty)/spring	- 0,9 ... 10	31	0,29	VR03 8408 02	7	VRX3 0393 22

3/2 manual valves

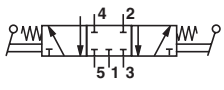
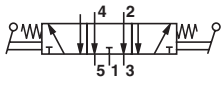
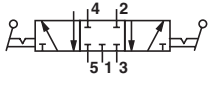
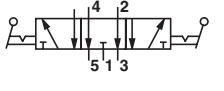
Symbol	Port size	Actuation	Colour	Operating pressure (bar)	Operating force (N)	Weight (kg)	Spares kit	Dimension No.	Model
	G1/8	Button/spring	Black	- 0,9 ... 10	31	0,15	VR03 8408 02	8	VR03 0404 02
	1/8 PTF	Button/spring	Black	- 0,9 ... 10	31	0,15	VR03 8408 02	8	VR03 0404 22
	G1/8	Button/spring	Green	- 0,9 ... 10	31	0,15	VR03 8408 02	8	VR03 0405 02
	1/8 PTF	Button/spring	Green	- 0,9 ... 10	31	0,15	VR03 8408 02	8	VR03 0405 22
	G1/8	Button/spring	Red	- 0,9 ... 10	31	0,15	VR03 8408 02	8	VR03 0406 02
	1/8 PTF	Button/spring	Red	- 0,9 ... 10	31	0,15	VR03 8408 02	8	VR03 0406 22
	G1/4	Button/spring	Black	- 0,9 ... 10	53	0,35	VR03 8602 02	26	VR03 0604 02
	1/4 PTF	Button/spring	Black	- 0,9 ... 10	53	0,35	VR03 8602 02	26	VR03 0604 22
	G1/8	Button (palm)/spring	Red	- 0,9 ... 10	31	0,29	VR03 8408 02	9	VR03 0366 02
	1/8 PTF	Button (palm)/spring	Red	- 0,9 ... 10	31	0,29	VR03 8408 02	9	VR03 0366 22
	G1/8	Button (palm)/spring	Green	- 0,9 ... 10	31	0,29	VR03 8408 02	9	VR03 0367 02
	1/8 PTF	Button (palm)/spring	Green	- 0,9 ... 10	31	0,29	VR03 8408 02	9	VR03 0367 22
	G1/8	Button (palm)/spring	Black	- 0,9 ... 10	31	0,29	VR03 8408 02	9	VR03 0368 02
	1/8 PTF	Button (palm)/spring	Black	- 0,9 ... 10	31	0,29	VR03 8408 02	9	VR03 0368 22
	G1/8	Emergency stop/twist reset	Red	- 0,9 ... 10	31	0,29	VR03 8408 02	9	VR03 0428 02
	1/8 PTF	Emergency stop/twist reset	Red	- 0,9 ... 10	31	0,29	VR03 8408 02	9	VR03 0428 22
	G1/8	Rotary knob/set reset	Black	- 0,9 ... 10	31	0,29	VR03 8408 02	10	VR03 0419 02
	1/8 PTF	Rotary knob/set reset	Black	- 0,9 ... 10	31	0,29	VR03 8408 02	10	VR03 0419 22
	G1/8	Button (shrouded)/spring	Black	- 0,9 ... 10	31	0,21	VR03 8408 02	11	VR03 0414 02
	1/8 PTF	Button (shrouded)/spring	Black	- 0,9 ... 10	31	0,21	VR03 8408 02	11	VR03 0414 22
	G1/8	Button (shrouded)/spring	Green	- 0,9 ... 10	31	0,21	VR03 8408 02	11	VR03 0415 02
	1/8 PTF	Button (shrouded)/spring	Green	- 0,9 ... 10	31	0,21	VR03 8408 02	11	VR03 0415 22
	G1/8	Button (shrouded)/spring	Red	- 0,9 ... 10	31	0,21	VR03 8408 02	11	VR03 0416 02
	1/8 PTF	Button (shrouded)/spring	Red	- 0,9 ... 10	31	0,21	VR03 8408 02	11	VR03 0416 22
	G1/8	Lever/spring	Black	- 0,9 ... 10	9	0,28	VR03 8408 02	12	VR03 0438 02
	1/8 PTF	Lever/spring	Black	- 0,9 ... 10	9	0,28	VR03 8408 02	12	VR03 0438 22
	G1/4	Lever/spring	Black	- 0,9 ... 10	15	0,48	VR03 8408 02	27	VR03 0638 02
	1/4 PTF	Lever/spring	Black	- 0,9 ... 10	15	0,48	VR03 8408 02	27	VR03 0638 22
	G1/8	Toggle/toggle	Black	- 0,9 ... 10	28	0,16	VR03 8408 02	13	VR03 0403 02
	1/8 PTF	Toggle/toggle	Black	- 0,9 ... 10	28	0,16	VR03 8408 02	13	VR03 0403 22
	G1/8	Lever/lever	Black	- 0,9 ... 10	9	0,29	VR03 8408 02	12	VR03 0437 02
	1/8 PTF	Lever/lever	Black	- 0,9 ... 10	9	0,29	VR03 8408 02	12	VR03 0437 22
	G1/4	Lever/lever	Black	- 0,9 ... 10	13	0,49	VR03 8602 02	27	VR03 0637 02
	1/4 PTF	Lever/lever	Black	- 0,9 ... 10	13	0,49	VR03 8602 02	27	VR03 0637 22
	G1/4	Knob/knob	Black	- 0,9 ... 10	13	0,37	VR03 8602 02	28	VR03 0625 02
	1/4 PTF	Knob/knob	Black	- 0,9 ... 10	13	0,37	VR03 8602 02	28	VR03 0625 22
	G1/4	Knob/knob or pilot *	Black	- 0,9 ... 10	13	0,41	VR03 8612 02	29	VR03 0627 02
	1/4 PTF	Knob/knob or pilot *	Black	- 0,9 ... 10	13	0,41	VR03 8612 02	29	VR03 0627 22
	G1/8	Pedal/spring	Black	- 0,9 ... 10	22	1,03	VR03 8408 02	14	VR03 0481 02
	1/8 PTF	Pedal/spring	Black	- 0,9 ... 10	22	1,03	VR03 8408 02	14	VR03 0481 22
	G1/4	Pedal/spring	Black	- 0,9 ... 10	22	1,23	VR03 8602 02	30	VR03 0681 02
	1/4 PTF	Pedal/spring	Black	- 0,9 ... 10	22	1,23	VR03 8602 02	30	VR03 0681 22
	G1/8	Pedal/pedal	Black	- 0,9 ... 10	22	1,07	VR03 8408 02	14	VR03 0483 02
	1/8 PTF	Pedal/pedal	Black	- 0,9 ... 10	22	1,07	VR03 8408 02	14	VR03 0483 22
	G1/4	Pedal/pedal	Black	- 0,9 ... 10	22	1,27	VR03 8602 02	30	VR03 0683 02
	1/4 PTF	Pedal/pedal	Black	- 0,9 ... 10	22	1,27	VR03 8602 02	30	VR03 0683 02

* Pilot pressure 2 ... 10 bar

5/2 manual valves

Symbol	Port size	Actuation	Colour	Operating pressure (bar)	Operating force (N)	Weight (kg)	Spares kit	Dimension No.	Model
	G1/8	Button/spring	Black	- 0,9 ... 10	54	0,26	VR03 8408 02	15	VRX3 0444 02
	1/8 PTF	Button/spring	Black	- 0,9 ... 10	54	0,26	VR03 8408 02	15	VRX3 0444 22
	G1/8	Button/spring	Green	- 0,9 ... 10	54	0,26	VR03 8408 02	15	VRX3 0445 02
	1/8 PTF	Button/spring	Green	- 0,9 ... 10	54	0,26	VR03 8408 02	15	VRX3 0445 22
	G1/8	Button/spring	Red	- 0,9 ... 10	54	0,26	VR03 8408 02	15	VRX3 0446 02
	1/8 PTF	Button/spring	Red	- 0,9 ... 10	54	0,26	VR03 8408 02	15	VRX3 0446 22
	G1/4	Button/spring	Black	- 0,9 ... 10	54	0,47	VR03 8408 02	31	VRX3 0644 02
	1/4 PTF	Button/spring	Black	- 0,9 ... 10	62	0,47	VR03 8408 02	31	VRX3 0644 22
	G1/8	Button (palm)/spring	Red	- 0,9 ... 10	62	0,40	VR03 8408 02	16	VRX3 0386 02
	1/8 PTF	Button (palm)/spring	Red	- 0,9 ... 10	31	0,40	VR03 8408 02	16	VRX3 0386 22
	G1/8	Button (palm)/spring	Green	- 0,9 ... 10	31	0,40	VR03 8408 02	16	VRX3 0387 02
	1/8 PTF	Button (palm)/spring	Green	- 0,9 ... 10	31	0,40	VR03 8408 02	16	VRX3 0387 22
	G1/8	Button (palm)/spring	Black	- 0,9 ... 10	31	0,40	VR03 8408 02	16	VRX3 0388 02
	1/8 PTF	Button (palm)/spring	Black	- 0,9 ... 10	31	0,40	VR03 8408 02	16	VRX3 0388 22
	G1/8	Emergency stop/twist reset	Red	- 0,9 ... 10	31	0,40	VR03 8408 02	16	VRX3 0468 02
	1/8 PTF	Emergency stop/twist reset	Red	- 0,9 ... 10	31	0,40	VR03 8408 02	16	VRX3 0468 22
	G1/8	Button (shrouded)/spring	Black	- 0,9 ... 10	54	0,32	VR03 8408 02	17	VRX3 0454 02
	1/8 PTF	Button (shrouded)/spring	Black	- 0,9 ... 10	54	0,32	VR03 8408 02	17	VRX3 0454 22
	G1/8	Button (shrouded)/spring	Green	- 0,9 ... 10	54	0,32	VR03 8408 02	17	VRX3 0455 02
	1/8 PTF	Button (shrouded)/spring	Green	- 0,9 ... 10	54	0,32	VR03 8408 02	17	VRX3 0455 22
	G1/8	Button (shrouded)/spring	Red	- 0,9 ... 10	54	0,32	VR03 8408 02	17	VRX3 0456 02
	1/8 PTF	Button (shrouded)/spring	Red	- 0,9 ... 10	54	0,32	VR03 8408 02	17	VRX3 0456 22
	G1/8	Knob, push/knob, pull	Black	- 0,9 ... 10	22	0,28	VR03 8408 02	18	VRX3 0465 02
	1/8 PTF	Knob, push/knob, pull	Black	- 0,9 ... 10	22	0,28	VR03 8408 02	18	VRX3 0465 22
	G1/4	Knob/knob	Black	- 0,9 ... 10	13	0,49	VR03 8408 02	32	VRX3 0665 02
	1/4 PTF	Knob/knob	Black	- 0,9 ... 10	13	0,49	VR03 8408 02	32	VRX3 0665 22
	G1/8	Lever/spring	Black	- 0,9 ... 10	16	0,40	VR03 8408 02	19	VRX3 0478 02
	1/8 PTF	Lever/spring	Black	- 0,9 ... 10	16	0,40	VR03 8408 02	19	VRX3 0478 22
	G1/4	Lever/spring	Black	- 0,9 ... 10	15	0,60	VR03 8602 02	33	VRX3 0678 02
	1/4 PTF	Lever/spring	Black	- 0,9 ... 10	15	0,60	VR03 8602 02	33	VRX3 0678 22
	G1/8	Toggle/toggle	Black	- 0,9 ... 10	48	0,27	VR03 8408 02	20	VRX3 0443 02
	1/8 PTF	Toggle/toggle	Black	- 0,9 ... 10	48	0,27	VR03 8408 02	20	VRX3 0443 22
	G1/8	Lever/lever	Black	- 0,9 ... 10	13	0,40	VR03 8408 02	19	VRX3 0477 02
	1/8 PTF	Lever/lever	Black	- 0,9 ... 10	13	0,40	VR03 8408 02	19	VRX3 0477 22
	G1/4	Lever/lever	Black	- 0,9 ... 10	13	0,61	VR03 8602 02	33	VRX3 0677 02
	1/4 PTF	Lever/lever	Black	- 0,9 ... 10	13	0,61	VR03 8602 02	33	VRX3 0677 22
	G1/8	Pedal/spring	Black	- 0,9 ... 10	22	1,12	VR03 8408 02	14	VRX3 0482 02
	1/8 PTF	Pedal/spring	Black	- 0,9 ... 10	22	1,12	VR03 8408 02	14	VRX3 0482 22
	G1/4	Pedal/spring	Black	- 0,9 ... 10	22	1,33	VR03 8602 02	35	VRX3 0682 02
	1/4 PTF	Pedal/spring	Black	- 0,9 ... 10	22	1,33	VR03 8602 02	35	VRX3 0682 22
	G1/8	Pedal/pedal	Black	- 0,9 ... 10	22	1,18	VR03 8408 02	14	VRX3 0484 02
	1/8 PTF	Pedal/pedal	Black	- 0,9 ... 10	22	1,18	VR03 8408 02	14	VRX3 0484 22
	G1/4	Pedal/pedal	Black	- 0,9 ... 10	22	1,39	VR03 8602 02	35	VRX3 0684 02
	1/4 PTF	Pedal/pedal	Black	- 0,9 ... 10	22	1,39	VR03 8602 02	35	VRX3 0684 22

5/3 manual valves

Symbol	Port size	Actuation	Colour	Function	Operating pressure (bar)	Operating force (N)	Weight (kg)	Spares kit	Dimension No.	Model
	G1/8	Lever/spring/lever	Black	APB	- 0,9 ... 10	15	0,85	VR03 8408 02	21	VRX3 3438 02
	1/8 PTF	Lever/spring/lever	Black	APB	- 0,9 ... 10	15	0,85	VR03 8408 02	21	VRX3 3438 22
	G1/4	Lever/spring/lever	Black	APB	- 0,9 ... 10	15	1,06	VR03 8602 02	34	VRX3 3638 02
	1/4 PTF	Lever/spring/lever	Black	APB	- 0,9 ... 10	15	1,06	VR03 8602 02	34	VRX3 3638 22
	G1/8	Lever/spring/lever	Black	COE	- 0,9 ... 10	15	0,85	VR03 8408 02	21	VRX3 3478 02
	1/8 PTF	Lever/spring/lever	Black	COE	- 0,9 ... 10	15	0,85	VR03 8408 02	21	VRX3 3478 22
	G1/4	Lever/spring/lever	Black	COE	- 0,9 ... 10	15	1,06	VR03 8602 02	34	VRX3 3678 02
	1/4 PTF	Lever/spring/lever	Black	COE	- 0,9 ... 10	15	1,06	VR03 8602 02	34	VRX3 3678 22
	G1/8	Lever/lever/lever	Black	APB	- 0,9 ... 10	12	0,44	VR03 8408 02	21	VRX3 3437 02
	1/8 PTF	Lever/lever/lever	Black	APB	- 0,9 ... 10	12	0,44	VR03 8408 02	21	VRX3 3437 22
	G1/4	Lever/lever/lever	Black	APB	- 0,9 ... 10	12	0,65	VR03 8602 02	34	VRX3 3637 02
	1/4 PTF	Lever/lever/lever	Black	APB	- 0,9 ... 10	12	0,65	VR03 8602 02	34	VRX3 3637 22
	G1/8	Lever/lever/lever	Black	COE	- 0,9 ... 10	12	0,44	VR03 8408 02	21	VRX3 3477 02
	1/8 PTF	Lever/lever/lever	Black	COE	- 0,9 ... 10	12	0,44	VR03 8408 02	21	VRX3 3477 22
	G1/4	Lever/lever/lever	Black	COE	- 0,9 ... 10	12	0,65	VR03 8602 02	34	VRX3 3677 02
	1/4 PTF	Lever/lever/lever	Black	COE	- 0,9 ... 10	12	0,65	VR03 8602 02	34	VRX3 3677 22

Option selector

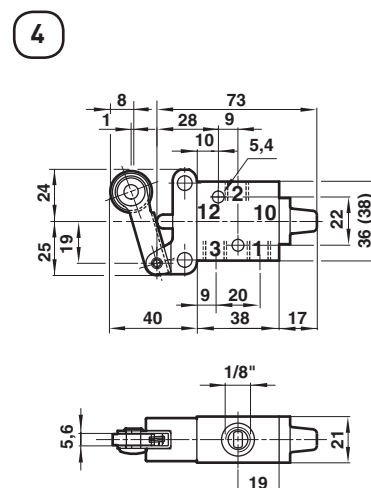
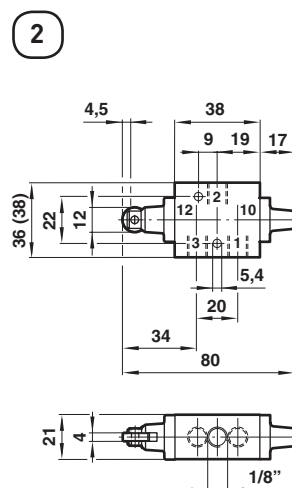
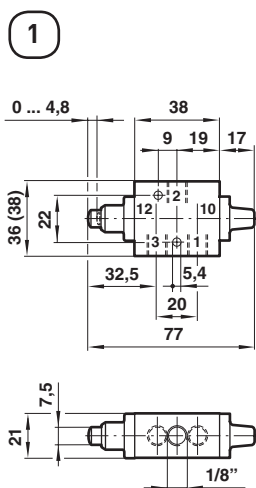
VR*****2

Function	Substitute
3/2	030
5/2	X30
5/3	X33
Air port	Substitute
1/8"	4
1/4"	6
3/2 Mechanical actuated valves	Substitute
Plunger/spring	00
Roller/spring	02
Roller lever (heavy duty)/spring	93
3/2 Manual actuated valves	Substitute
Button/spring (Black)	04
Button/spring (Green)	06
Button/spring (Red)	05
Emergency stop/twist reset (Red)	82
Rotary knob/set reset (Black)	19
Button (shrouded)/spring (Black)	14
Button (shrouded)/spring (Green)	15
Button (shrouded)/spring (Red)	16
Lever/spring	38
Toggle/toggle	03
Lever/lever	37
Knob/knob	25
Knob/knob or pilot	27
Pedal/spring	81
Pedal/pedal	83

Thread	Substitute
ISO G	0
PTF-SAE SHORT	2
5/2 Mechanical actuated valves	Substitute
Plunger/spring	40
Roller lever (heavy duty)/spring	93
5/2 and 5/3 Manual actuated valves	Substitute
Lever/lever/lever, APB	37
Lever/spring lever, APB	38
Toggle/toggle	43
Button / spring (Black)	44
Button / spring (Green)	45
Button / spring (Red)	46
Button (shrouded) / spring (Black)	54
Button (shrouded) / spring (Green)	55
Button (shrouded) / spring (Red)	56
Knob, push / knob, pull or pilot (Black)	65
Emergency stop / twist reset (Red)	68
Lever/lever	77
Lever/lever/lever, COE	77
Lever/spring	78
Lever/spring/lever, COE	78
Pedal/spring	82
Pedal/pedal	84
Button (palm) / spring (Red)	86
Button (palm) / spring (Green)	87
Button (palm) / spring (Black)	88

Dimensions

Dimensions shown in mm
Projection/First angle



The plunger on this valve is designed for axial loading only.

Recommended cam rise:
max. 4,5 mm
Cam angle of approach: 30° max.
Cam speed: max. 8 m/min
Operating speed: 300 cpm

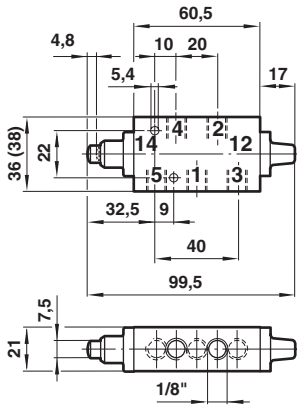
Over-travel: 1 mm
Cam angle of approach:
45° maximum
Cam speed: 8 m/min. maximum
Operating speed: 300 cpm

() Values for inch port size

Dimensions shown in mm
Projection/First angle

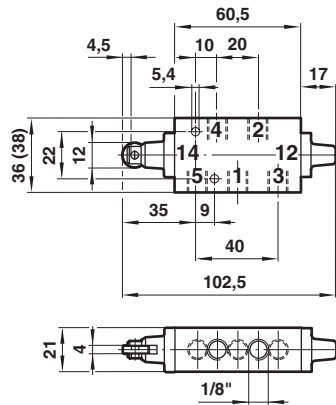


5



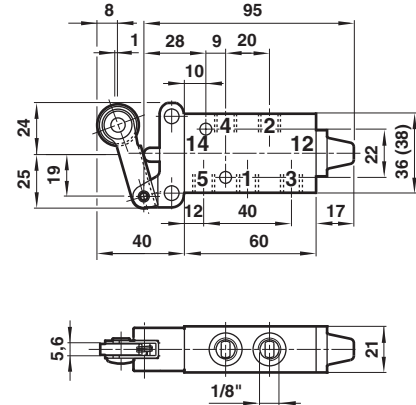
Full movement: 4,8 mm
The plunger on this valve is designed for axial loading only.

6



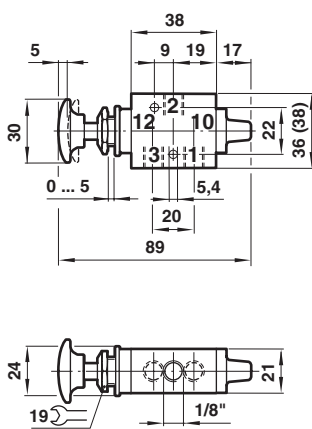
Maximum recommended can rise: 4,5 mm
Cam angle of approach: 30° maximum
Cam speed: 8 m/min. maximum
Operating speed: 300 cpm

7



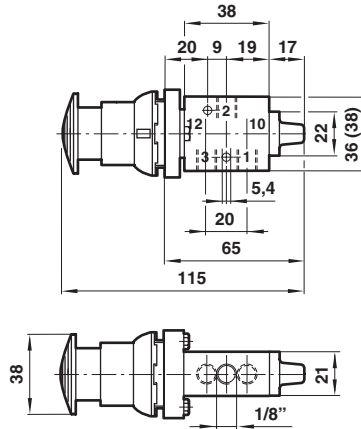
Over-travel: 1 mm
Cam angle of approach: 45° maximum
Cam speed: 8 m/min. maximum
Operating speed: 300 cpm

8



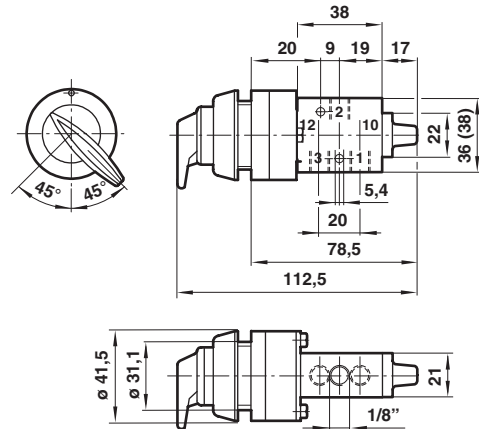
These valves are suitable for panel mounting by means of an optional nut and washer, reference 03 0430 00;
Panel hole: Ø 15 mm;
Panel thickness: 5 mm maximum.

9



These valves are suitable for panel mounting.
Panel hole: Ø 32,1 mm; panel thickness: 6 mm maximum

10

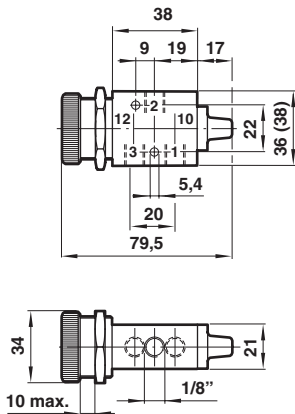


These valves are suitable for panel mounting.
Panel hole: Ø 32,1 mm; panel thickness: 6 mm maximum

Dimensions shown in mm
Projection/First angle

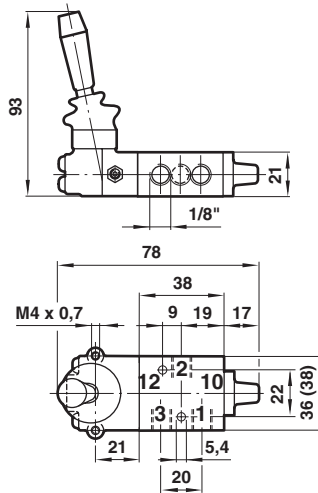


11



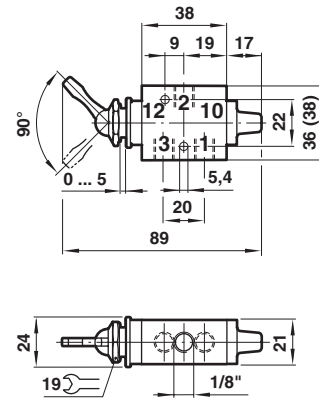
These valves are suitable for panel mounting.
Panel hole: \varnothing 31 mm
Panel thickness: 10 mm maximum.

12



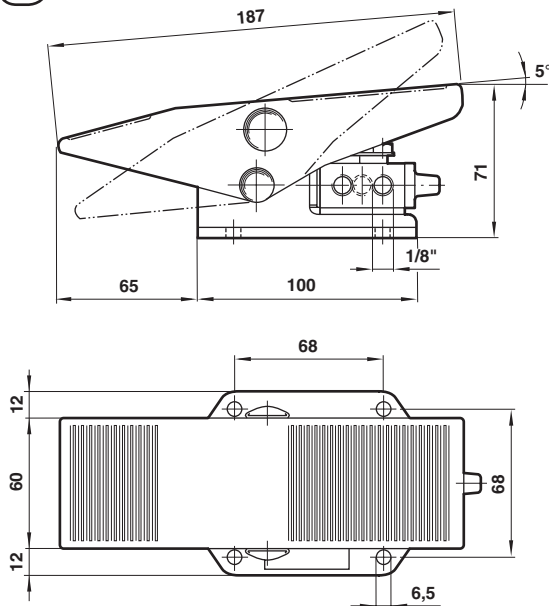
Model VR03 0437 02 features a positive detent in each position and is suitable for panel mounting by means of a bezel kit, reference 03 3437 64.
Panel hole: \varnothing 24 mm
Panel thickness: 8 mm maximum.

13



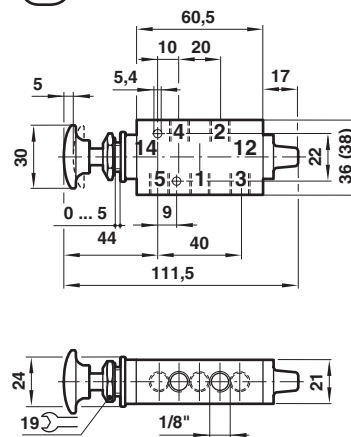
This valve is suitable for panel mounting.
Panel hole: \varnothing 15 mm;
Panel thickness: 5 mm maximum.

14



A foot guard is available for this valve, reference 03 0480 60.

15

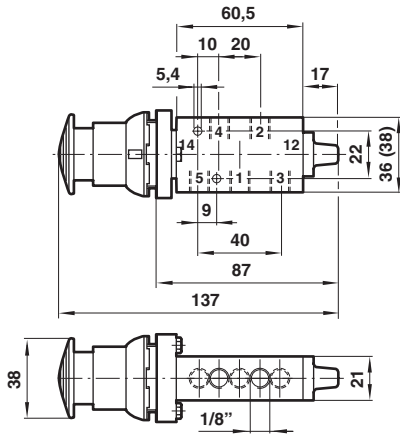


These valves are suitable for panel mounting by means of an optional nut and washer, reference 03 0430 00;
Panel hole: \varnothing 15 mm;
Panel thickness: 5 mm maximum.

Dimensions shown in mm
Projection/First angle

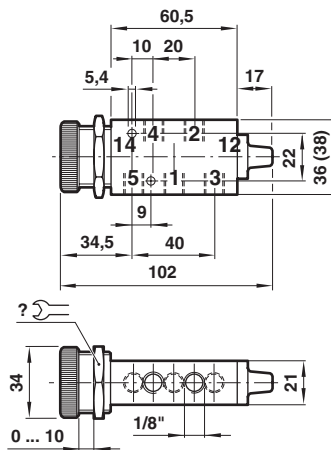


16



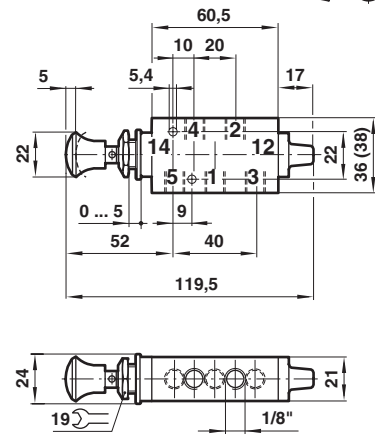
These valves are suitable for panel mounting.
Panel hole: \varnothing 32,1 mm; panel thickness: 6 mm maximum

17



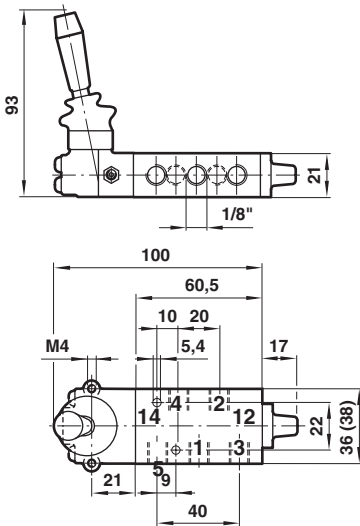
These valves are suitable for panel mounting.
Panel hole: \varnothing 31 mm
Panel thickness: 10 mm maximum.

18



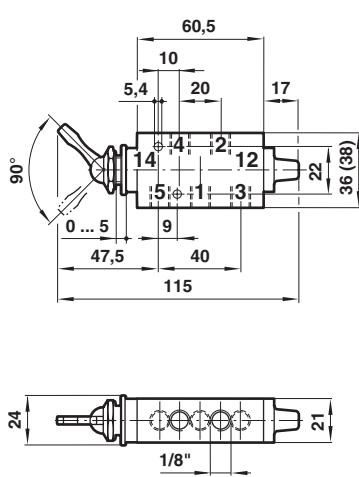
This valve is suitable for panel mounting by means of an optional nut and washer, reference 03 0430 00.
Panel hole: \varnothing 15 mm
Panel thickness: 5 mm maximum.

19



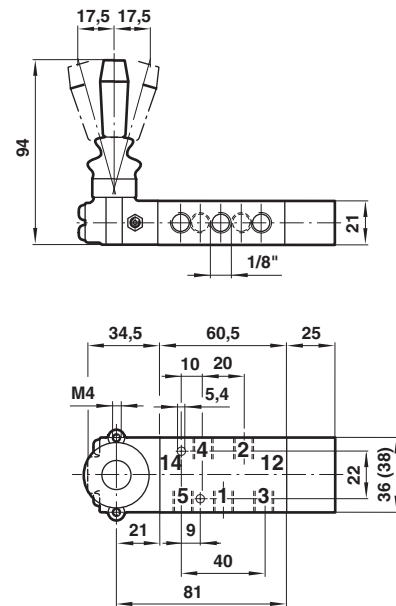
Both models are suitable for panel mounting by means of a bezel kit, reference 03 3437 64.
Panel hole: \varnothing 24 mm;
Panel thickness: 8 mm maximum.

20



This valve is suitable for panel mounting.
Panel hole: \varnothing 15 mm;
Panel thickness: 5 mm maximum.

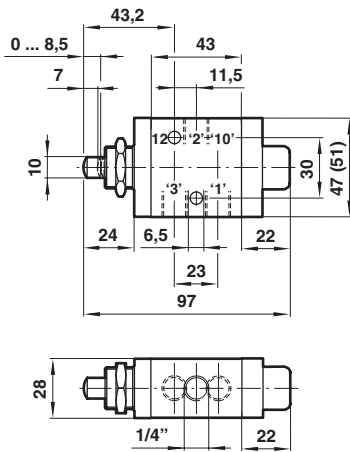
21



Panel hole: \varnothing 24 mm;
Panel thickness: 8 mm maximum.

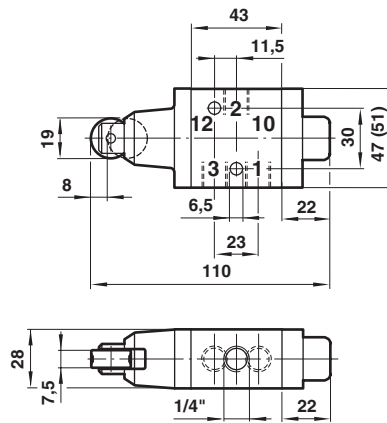
[] Values for inch port size

22



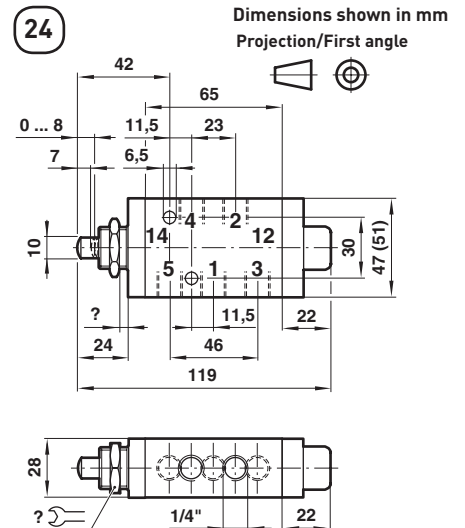
The plunger on this valve is designed for axial loading only.

23



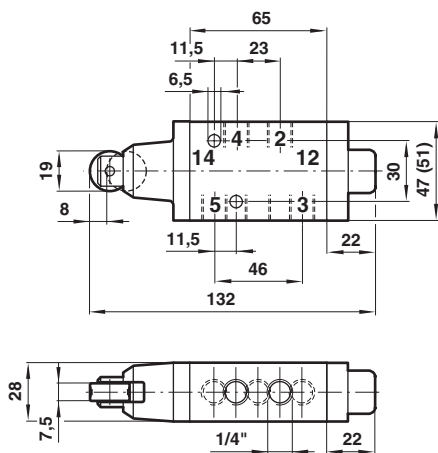
Cam angle of approach:
45° maximum
Cam speed: 6 m/min. maximum
Operating speed: 200 cpm

24



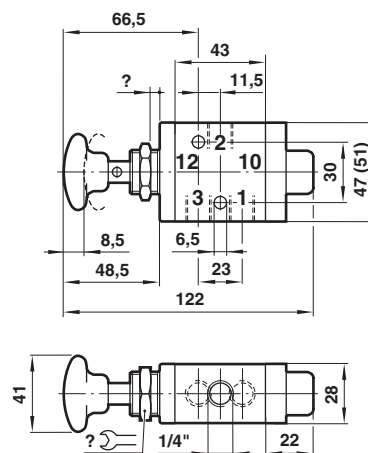
The plunger on this valve is designed for axial loading only.

25



Cam angle of approach:
45° maximum
Cam speed: 6 m/min. maximum
Operating speed: 200 cpm

26

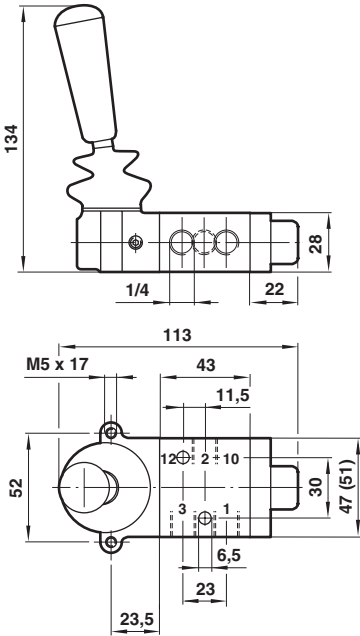


This valve is suitable for panel mounting and includes a nut and washer.
Panel hole: Ø 21 mm;
Panel thickness: 8 mm maximum.

Dimensions shown in mm
Projection/First angle

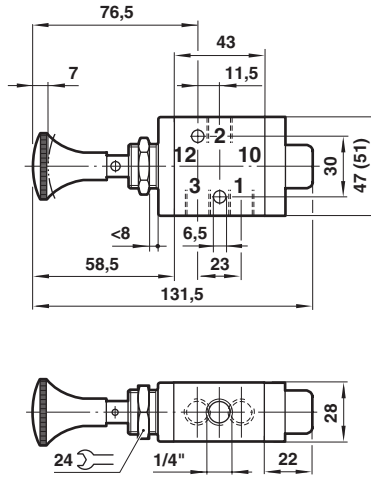


27



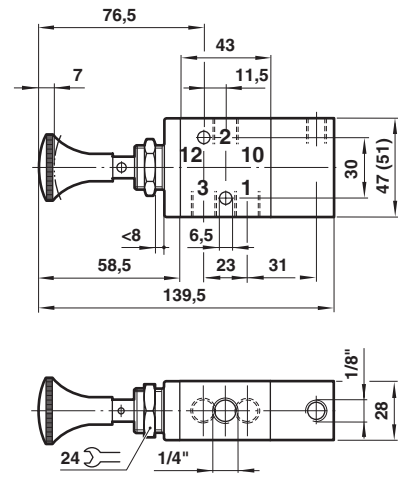
Model VR03063702 features a positive detent in each position.
Panel hole: \varnothing 31 mm;
Panel thickness: 8 mm maximum.

28



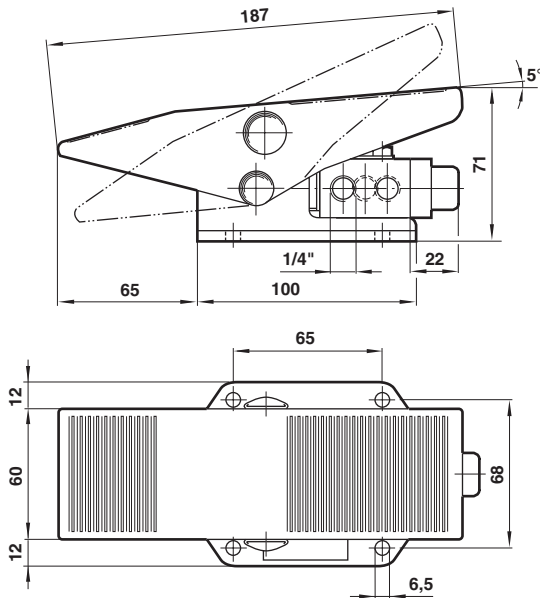
This valve is suitable for panel mounting and includes a nut and washer.
Panel hole: \varnothing 21 mm; Panel thickness: 8 mm maximum

29



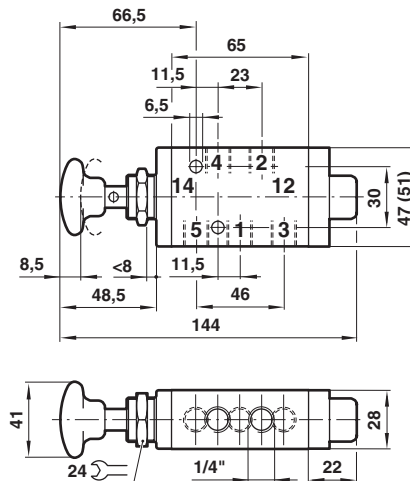
Reset pressure: 4 bar minimum
This valve is suitable for panel mounting and includes a nut and washer.
Panel hole: \varnothing 21 mm; Panel thickness: 8 mm maximum

30



A foot guard is available for this valve, reference 03 0480 60.

31



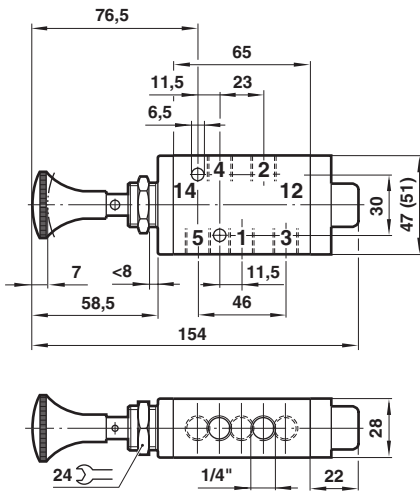
This valve is suitable for panel mounting and includes a nut and washer.
Panel hole: \varnothing 21 mm; Panel thickness: 8 mm maximum

() Values for inch port size

Dimensions shown in mm
Projection/First angle

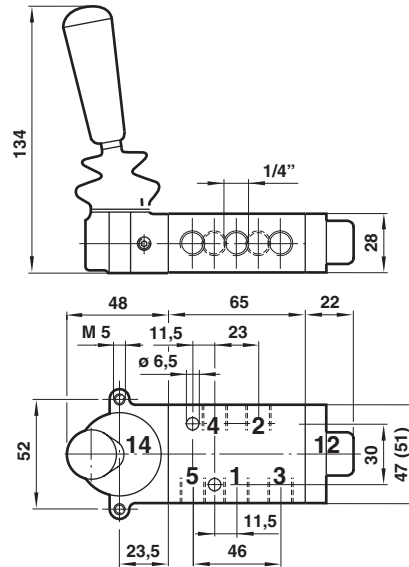


32



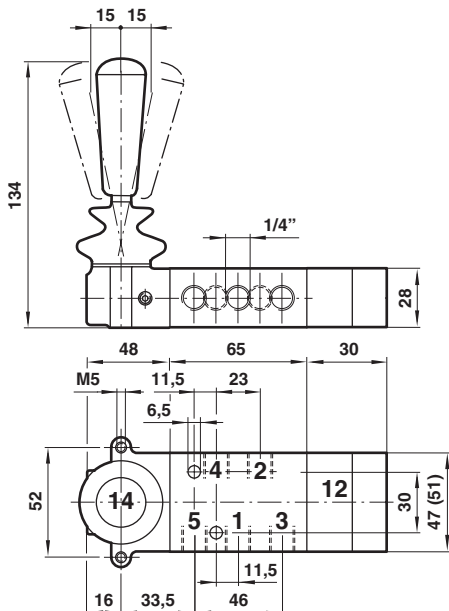
This valve is suitable for panel mounting and includes a nut and washer.
Panel hole: \varnothing 21 mm; Panel thickness: 8 mm maximum

33



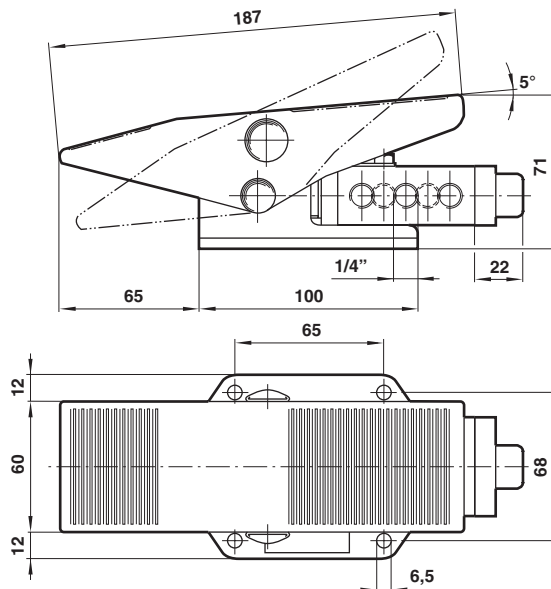
Model VRX3 0677 02 features a positive detent in each position.
Panel hole: \varnothing 31 mm;
Panel thickness: 8 mm maximum.

34



Panel hole: \varnothing 31 mm
Panel thickness: 8 mm maximum.

35



A foot guard is available for this valve, reference 03 0480 60.

[] Values for inch port size

Warning

These products are intended for use in industrial compressed air and rail transport systems only. Do not use these products where pressures and temperatures can exceed those listed under 'Technical features'.

Before using these products with fluids other than those specified, for non-industrial applications, life-support systems, or other applications not within published specifications, consult NORGREN.

Through misuse, age, or malfunction, components used in fluid power systems can fail in various modes.

The system designer is warned to consider the failure modes of all component parts used in fluid power systems and to provide adequate safeguards to prevent personal injury or damage to equipment in the event of such failure.

System designers must provide a warning to end users in the system instructional manual if protection against a failure mode cannot be adequately provided.

System designers and end users are cautioned to review specific warnings found in instruction sheets packed and shipped with these products.