

# WATER REGULATORS

R06, R43 & 11-809 - G1/8 ... G1



11-809



R06



R43

Can be disassembled without removal from the air or water line

## TECHNICAL DATA

### Medium:

Water and compressed air

### Operating temperature:

Water service: 2°C ... 93°C (R43 & 11-809) and 2°C ... 65°C+ (R06)

Air service: -34°C ... 93°C\* (R43 & 11-809) and -34°C ... 65°C+ (R06)

\* Air supply must be dry enough to avoid ice formation at temperatures below 2°C

+ Typical flow for water service at 7 bar inlet pressure, 4 bar set pressure and a droop of 1 bar from set: 4,9 lpm

+ Typical flow for compressed air service at 7 bar inlet pressure, 6,3 bar set pressure and a droop of 1 bar from set: 5,7 dm<sup>3</sup>/s

### Gauge ports:

R43:

1/4" ISO G with ISO G main ports

R06:

1/8" PTF

11-809:

1/8" PTF with PTF main ports

G1/8 with ISO G main ports

Rc1/4 with ISO Rc main ports

## MATERIALS

Body: Brass

Elastomers: Nitrile

Port size	Pressure range (bar)	Flow (dm <sup>3</sup> /s)	kg	MODELS	ACCESSORIES		SERVICE KIT
					Wall mounting bracket	Gauge Ø 40 mm (0 ... 10bar)*	
G1/8	0,14 ... 7	5,7	0,09	R06-170-NNKD			
G1/8	0,14 ... 7	5,7	0,09	R06-122-NNKD	18-001-021	18-013-989	3407-17
G1/4	0,14 ... 7	5,7	0,09	R06-270-NNKD	18-001-021	18-013-989	3407-17
G1/4	0,14 ... 7	5,7	0,09	R06-222-NNKD	18-001-021	18-013-989	3407-17
G1/4	0,3 ... 8,6	0,4	1,09	R43-201-NNLG	18-001-990	18-013-013	5298-03
G3/8	0,3 ... 8,6	0,4	1,09	R43-301-NNLG	18-001-990	18-013-013	5298-03
G1/2	0,3 ... 8,6	0,6	1,09	R43-406-NNLG	18-001-990	18-013-013	5298-10
G3/4	0,3 ... 8	1,7	7,8	11-809-999	-	18-013-989	2436-03
G1	0,3 ... 8	1,7	7,5	11-809-995	-	18-013-989	2436-03

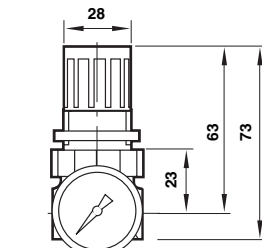


\* Gauges not suitable for potable water applications. Other pressure ranges available.

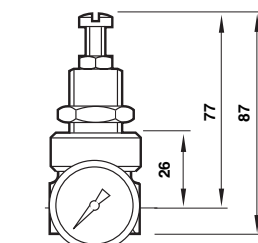
## DIMENSIONS

### R06

Panel mounting hole diameter:  
Models with plastic bonnet: 30 mm  
Models with brass bonnet: 21mm  
Maximum panel thickness: 6 mm



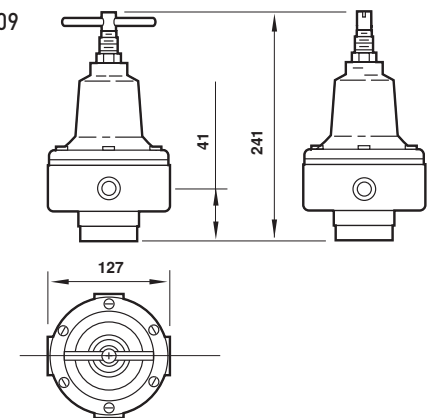
R06 221 Models with Plastic Bonnet



R06 222 Models with Brass Bonnet

Brass bonnet & body combination max temperature 93°C

### 11-809



Dimensions in mm

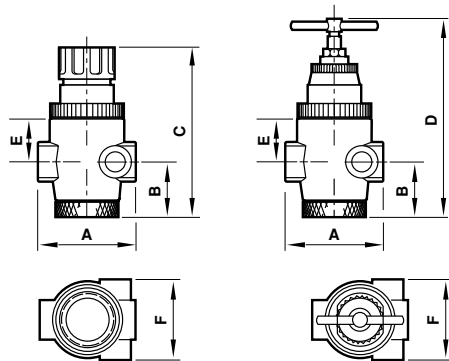
## For further information



[www.norgren.com/info/en6-126](http://www.norgren.com/info/en6-126)

### R43

Panel mounting hole diameter: 48 mm  
Maximum panel thickness: 5 mm



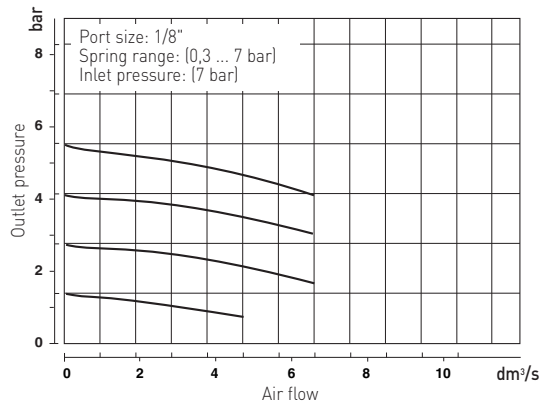
Port size	A	B	C	D	E	F
1/4, 3/8	70	39	124	146	31	59
1/2	85	41	127	150	33	62

Dimensions in mm

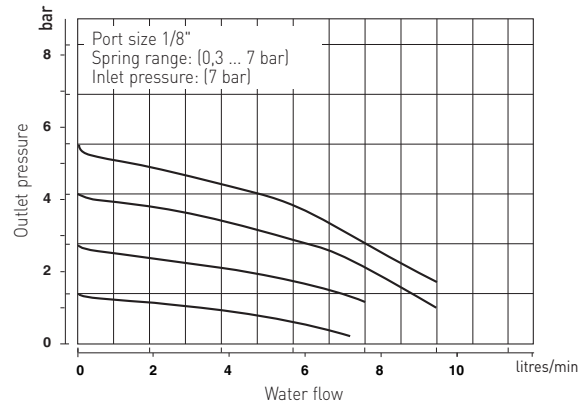
## FLOW CHARACTERISTICS

### R06

Air flow characteristics

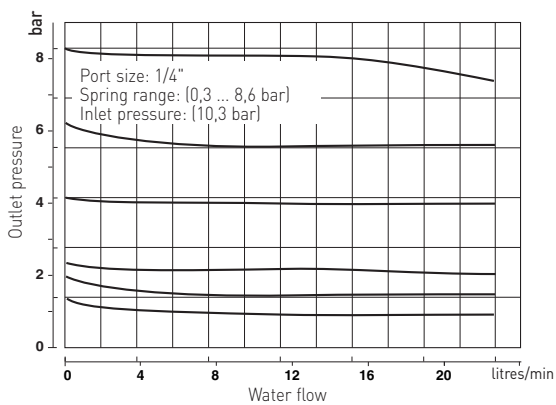


Water flow characteristics

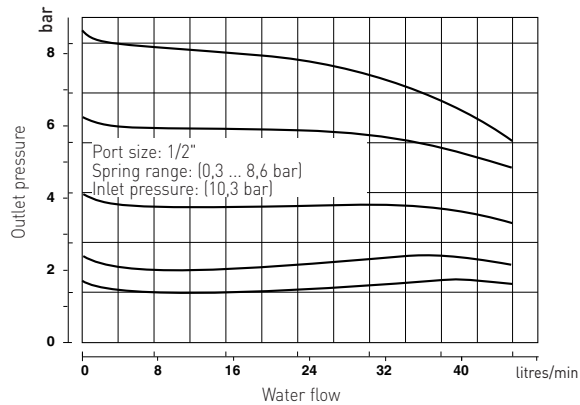


### R43

Water flow characteristics



Water flow characteristics



### 11-809

Water flow characteristics

