

EXCELON[®] QUIKCLAMP SYSTEM

Soft start/dump valves

P72F, P74F - G1/4 ... G3/4



P72F



P74F

Assists machine designers in complying with the European Machineries Directive

Can help existing machinery to comply with PUWER (Provision and Use of Work Equipment Regulations)

Controlled increase of downstream pressure on start up

High forward flow capacity

High flow dump facility

TECHNICAL DATA

Medium:

Compressed air

Maximum operating pressure:

10 bar (solenoid pilot operated)

17 bar (air pilot operated)

Minimum operating pressure:

3 bar

Ambient temperature:

-20°C ... + 65°C P72F

-20°C ... + 80°C P74F

Consult our Technical Service for use below +2°C
Solenoid rating max is 50°C whilst unit max may be higher

Air pilot port:

P72F M5

P74F Rc1/4

Exhaust port:

P72F Rc1/4

P74F G1/2

Maximum flow:

P72F 21 dm³/s

P74F 57 dm³/s

Note: Maximum flow with 6,3 bar inlet pressure and pressure drop of 0,5 bar

Snap pressure:

Full flow when downstream pressure reaches 50 to 80% of inlet pressure.

Snap pressure:

Full flow when downstream pressure reaches 50 to 80% of inlet pressure.

MATERIALS

P72F

Body: zinc alloy

Elastomers: synthetic materials

Filter discs: sintered plastic

Internal components: brass/steel

P74F

Body & intermediate body: aluminium

Elastomers: synthetic materials

Filter discs: sintered plastic

Internal components: brass/steel

Top plate & exhaust bonnet: zinc

	Port size	kg	MODELS		kg	Air pilot operated	ACCESSORIES	
			Solenoid pilot operated				Silencer	Connector plug with cable gland
<p>Solenoid pilot operated</p>	G1/4	2,0	<p>P72F-2GC-PFN P72F-3GC-PFN</p>	2,0	P72F-2GA-NNN	<p>MB002B MB002B</p>	<p>M/P24121/1 M/P24121/2 0657868000000000</p>	10 ... 50 V a.c./d.c.
	G3/8	2,0						70 ... 110 V a.c.
<p>Air pilot operated</p>	G1/2	1,05	<p>P74F-4GC-PFN P74F-6GC-PFN</p>	1,02	P74F-4GA-NNN	<p>MB004B MB004B</p>	<p>M/P24121/1 M/P24121/2 0657868000000000</p>	10 ... 50 V a.c./d.c.
	G3/4	1,41						70 ... 110 V a.c.

For further information



www.norgren.com/info/en6-050

OPTIONS SELECTOR

Series	Substitute	Connectors	Substitute
72	2	3 pin plug with cable gland, no indicator	A
74	4	Without	N

Port size	Substitute	Coil voltage	Nominal power rating	Substitute
1/4" [72]	2	24 V d.c.	2 W	F
3/8"	3	12 V d.c.	2 W	E
1/2" [74]	4	6 V d.c.	2 W	D
3/4" [74]	6	220/240 V	4/2,5 VA	B
		50/60 Hz		
		110/120 V	4/2,5 VA	A
		50/60 Hz		
		No coil		Z
		No solenoid		N

For standard 22 mm solenoids.

Threads	Substitute	Solenoid manual operator	Substitute
PTF	A	Shrouded push button	P
ISO Rc taper	B	None	N
ISO G parallel	G		

Operator	Substitute
Air pilot*	A
Air pilot with manual lockout slide* [74]	B
22 mm miniature solenoid	C
22 mm miniature solenoid with manual lockout slide [74]	D
CNOMO solenoid	L
CNOMO solenoid with manual lockout slide [74]	M

ACCESSORIES

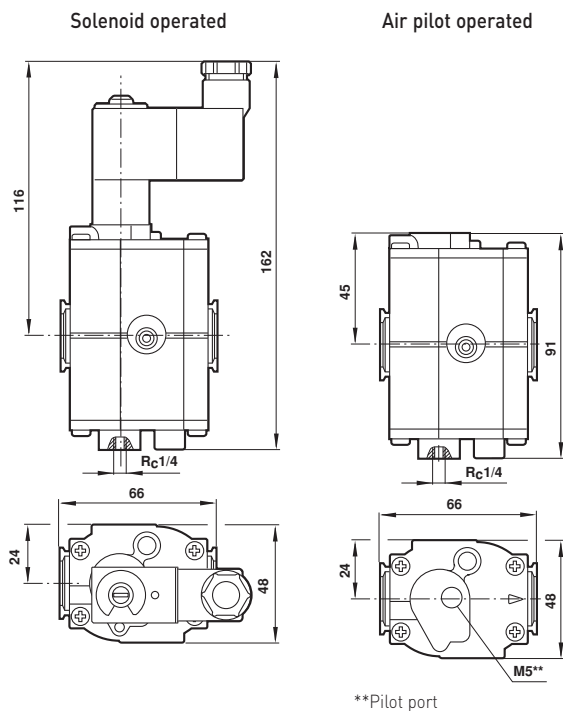
Series	Port size	3/2 Shut-off valve*	Quickclamp	Quickclamp and quickclamp wall bracket	Silencer (shut-off valve)
P72F	G1/4	T72T-2GA-P1N	4214-51	4214-52	T40M0500
	G3/8	T72T-3GA-P1N	4214-51	4214-52	T40M0500
P74F	G3/8	T74T-3GA-P1N	4314-51	4314-52	T40B1800
	G1/2	T74T-4GA-P1N	4314-51	4314-52	T40B1800
	G3/4	T74T-6GA-P1N	4314-51	4314-52	T40B1800

* To order air pilot models also substitute 'NNN' at digits 8, 9 and 10 e.g. P74F-4GA-NNN.

*Threaded exhaust port

DIMENSIONS

P72F



P74F

