

# EXCELON<sup>®</sup> QUIKCLAMP SYSTEM

## Solenoid operate control valves

P72C, P74C - G1/4 ... G3/4

P72C, P74C



3 port and 2 port, normally closed or normally open versions  
 High flow, spring return  
 Solenoid or air pilot operated

### TECHNICAL DATA

**Medium:**

Compressed air

**Maximum operating pressure:**

10 bar (solenoid pilot operated)  
 17 bar (air pilot operated)

**Minimum operating pressure:**

3 bar

**Ambient temperature:**

-20°C ... + 65°C P72C

-20°C ... + 80°C P74FC

Consult our Technical Service for use below +2°C  
 Solenoid rating max is 50°C whilst unit max may be higher

**Air pilot port:**

P72C M5

P74C Rc1/4

**Exhaust port:**

P72C Rc1/4

P74C G1/2

### MATERIALS

**P72C**

Body: zinc alloy

Elastomers: synthetic materials

Filter discs: sintered plastic

Internal components: brass/steel

**P74C**

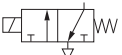
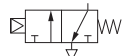
Body & intermediate body: aluminium

Elastomers: synthetic materials

Filter discs: sintered plastic

Internal components: brass/steel

Top plate & exhaust bonnet: zinc

	Port size	Function	Type	MODELS	SERVICE KIT
 Solenoid pilot operated	G1/4	3/2 NC	Solenoid	<b>P72C-26C-PFN</b>	4384-520
	G1/4	3/2 NC	Pilot	<b>P72C-26A-NNN</b>	4384-520
	G3/8	3/2 NC	Solenoid	<b>P72C-36C-PFN</b>	4384-520
	G3/8	3/2 NC	Pilot	<b>P72C-36A-NNN</b>	4384-520
	*	2/2 NC	Solenoid	<b>P74A-NGC-PFN</b>	53474-37
	*	2/2 NO	Solenoid	<b>P74B-NGC-PFN</b>	53474-37
	*	3/2 NC	Solenoid	<b>P74C-NGC-PFN</b>	53474-37
	*	3/2 NC	Solenoid with lockout	<b>P74C-NGD-PFN</b>	53474-37
	*	2/2 NC	Pilot	<b>P74A-NGA-NNN</b>	53474-37
	*	2/2 NO	Pilot	<b>P74B-NGA-NNN</b>	53474-37
 Air pilot operated	*	3/2 NC	Pilot	<b>P74C-NGA-NNN</b>	53474-37

\*Ports are unthreaded. Quikclamps (this page) and Quikmount pipe adaptors are required.  
 Solenoid models are fitted with 24 V d.c., 2 W coils – no connector plugs

For further information



[www.norgren.com/info/en6-054](http://www.norgren.com/info/en6-054)

## OPTIONS SELECTOR

Series	Substitute	Connectors	Substitute
72	2	3 pin plug with cable gland, no indicator	A
74	4	Without	N

Port size	Substitute	Coil voltage	Nominal power rating	Substitute
1/4" [72]	2	24 V d.c.	2 W	F
3/8"	3	12 V d.c.	2 W	E
1/2" [74]	4	6 V d.c.	2 W	D
3/4" [74]	6	220/240 V	4/2,5 VA	B
		50/60 Hz		
		110/120 V	4/2,5 VA	A
		50/60 Hz		
		No coil		Z
		No solenoid		N

For standard 22 mm solenoids.

Threads	Substitute	Solenoid manual operator	Substitute
PTF	A	Shrouded push button	P
ISO Rc taper	B	None	N
ISO G parallel	G		

Operator	Substitute
Air pilot**	A
22 mm miniature solenoid	C
CNOMO	L

## ACCESSORIES

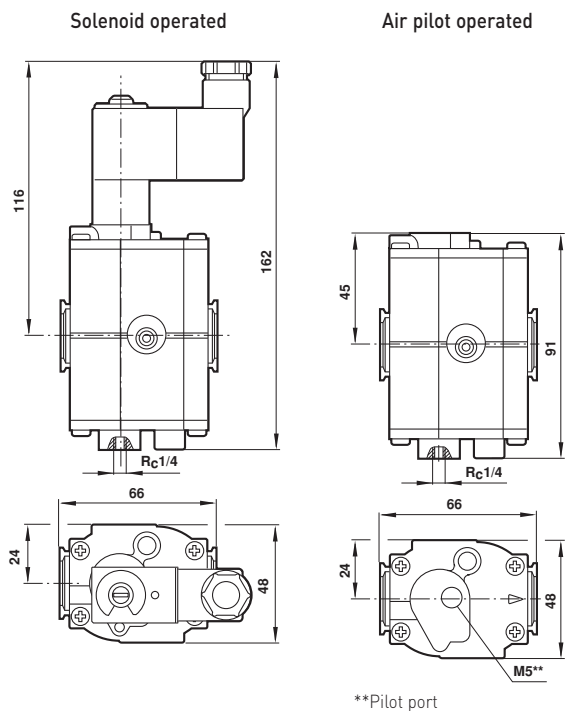
Series	Port size	3/2 Shut-off valve*	Quickclamp	Quickclamp and quickclamp wall bracket	Silencer (shut-off valve)
P72C	G1/4	T72T-2GA-P1N	4214-51	4214-52	T40M0500
	G3/8	T72T-3GA-P1N	4214-51	4214-52	T40M0500
P74C	G3/8	T74T-3GA-P1N	4314-51	4314-52	T40B1800
	G1/2	T74T-4GA-P1N	4314-51	4314-52	T40B1800
	G3/4	T74T-6GA-P1N	4314-51	4314-52	T40B1800

\*Threaded exhaust port

\*\* To order air pilot models also substitute 'NNN' at digits 8, 9 and 10 e.g. P72C-2GA-NNN

## DIMENSIONS

### P72C



### P74C

