

OLYMPIAN PLUS PLUG-IN SYSTEM

Soft start/dump valves

P64F & P68F - G1/4 ... G1 1/2



P68F



P64F

Assists machine designers in complying with the European Machineries Directive

Can help existing machinery to comply with PUWER (Provision and Use of Work Equipment Regulations)

Controlled increase of downstream pressure on start up

Solenoid, air pilot or manual operator

High forward flow capacity

High flow dump facility

TECHNICAL DATA

Medium:

Compressed air

Maximum operating pressure:

For solenoid operated versions: 10 bar

For pilot operated versions: 17 bar

Minimum operating pressure:

3 bar

Ambient temperature:

-20°C ... +80°C (solenoid version up to +50°C)

Consult our Technical Service for use below +2°C

Air pilot port:

P64F Rc1/4

P68F G1/4

Exhaust port:

P64F G1/2

P68F G1

Maximum flow:

P64F 57dm³/s

P68F 147dm³/s

Note: Maximum flow with 6,3 bar inlet pressure and pressure drop of 0,5 bar

Snap pressure:

Full flow when downstream pressure reaches 50-80% of inlet pressure

MATERIALS

P64F

Body & yoke: zinc alloy

Intermediate body: aluminium

Top plate: zinc

P68F

Body & yoke: aluminium

Intermediate body & top plate: aluminium

Elastomers: synthetic materials

Filter discs: sintered plastic

Internal components: brass/steel

P64F

Port size	MODELS		ACCESSORIES				
	Solenoid pilot operated	Air pilot operated	Wall mounting bracket	3/2 Shut-off valve*	Silencer (shut-off valve)	Silencer	Connector plug with cable gland
 Solenoid pilot operated	G1/4	P64F-2GC-PFN					
	G3/8	P64F-3GC-PFN					
	G1/2	P64F-4GC-PFN					
 Air pilot operated	G3/4	P64F-6GC-PFN	74504-50	T64T-6GB-P1N	T40B1800	MB004B	0657868000000000 Standard plug
			74504-50	T64T-3GB-P1N	T40B1800	MB004B	M/P24121/1 10 ... 50 V a.c./d.c.
			74504-50	T64T-4GB-P1N	T40B1800	MB004B	M/P24121/2 70 ... 110 V a.c.
			74504-50	T64T-6GB-P1N	T40B1800	MB004B	

P68F

Port size	MODELS		ACCESSORIES				
	Solenoid pilot operated	Air pilot operated	Wall mounting bracket	3/2 Shut-off valve*	Silencer (shut-off valve)	Silencer	Connector plug with cable gland
 Solenoid pilot operated	G3/4	P68F-6GH-NPN					
	G1	P68F-8GH-NPN					
	G1 1/4	P68F-AGH-NPN					
 Air pilot operated	G1 1/2	P68F-BGH-NPN	18-001-979	T68H-6GB-B2N	T40B2800	MB008B	M/P24120/1 10 ... 50 V a.c./d.c.
			18-001-979	T68H-8GB-B2N	T40B2800	MB008B	M/P24120/2 70 ... 115 V a.c./d.c.
			18-001-978	T68H-AGB-B2N	T40B2800	MB008B	M/P15737
				T68H-BGB-B2N	T40B2800	MB008B	

*Threaded exhaust port.

Solenoid operated models are supplied with 24 V d.c. solenoids but without connector plugs. To select alternative voltages and other options refer to the Options selector below.

For replacement soft start/dump valve, without yoke substitute 'NN' at 5th and 6th digit eg. P64F-NNC-PFN.

For replacement soft start/dump valve without yoke substitute 'N' at 5th digit, e.g. P68F-NGH-NPN

P68F models supplied with manual lockout as standard.

For further information



www.norgren.com/info/en6-080

OPTIONS SELECTOR

P6★F-★-★-★-★-★

Series	Substitute
64	4
68	8

Port size	Substitute
1/4*	2
3/8*	3
1/2*	4
3/4	6
1**	8
1 1/4**	A
1 1/2**	B

* 64 series only ** 68 series only

Threads	Substitute
PTF	A
ISO Rc taper	B
ISO G parallel	G

Connectors	Substitute
3 pin plug with cable gland, no indicator	A
Without	N

P64F (22 mm solenoid)

Coil voltage	Nominal power rating	Substitute
24 V d.c.	2 W	F
12 V d.c.	2 W	E
6 V d.c.	2 W	D
220/240 V, 50/60 Hz	4/2,5 V A	B
110/120 V, 50/60 Hz	4/2,5 V A	A
No coil	-	Z
No solenoid	-	N

P68F (32 mm solenoid)

Coil voltage	Nominal power rating	Substitute
24 V d.c.	4,5 W	P
12 V d.c.	4,5 W	Q
6 V d.c.	4,5 W	M
220/240 V, 50/60 Hz	14/10 V A	K
110/120 V, 50/60 Hz	14/10 V A	J
No solenoid	-	N

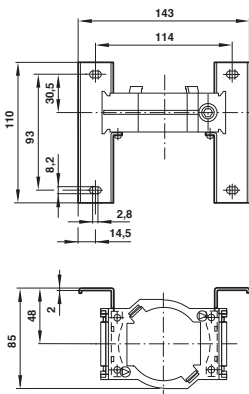
Solenoid manual operator	Substitute
Shrouded push button	P
None	N

Operator	Substitute
Air pilot	A
Air pilot with manual lockout	B
22 mm miniature solenoid	C
22 mm miniature solenoid with manual lockout	D
32 mm solenoid	G*
32 mm solenoid with manual lockout	H*
CNOMO solenoid	L
CNOMO solenoid with manual lockout	M
Direct ported bottom plate	N*

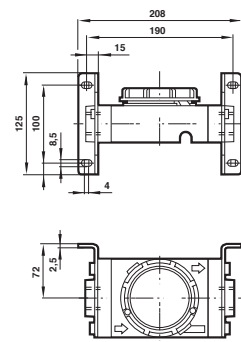
*P68F only

DIMENSIONS

Bracket mounting (P64F)

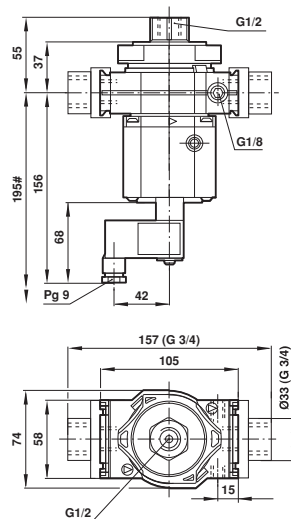


Bracket mounting (P68F)



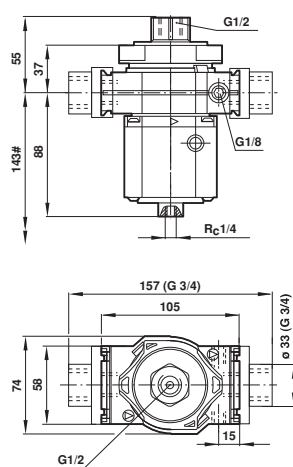
P64F

Solenoid operated



* Gauge port Rc1/8
Minimum clearance to remove unit.

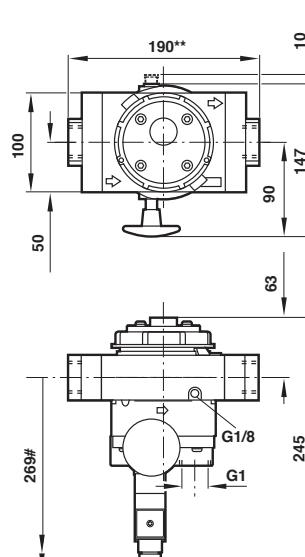
Air pilot operated



* Gauge port Rc1/8
Minimum clearance to remove unit.

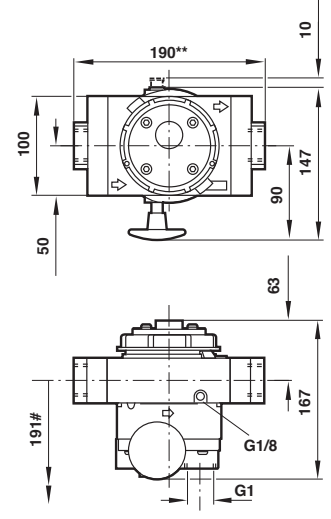
P68F

Solenoid operated plus manual shut-off with lockout



** 200 mm for 1 1/4 and 1 1/2 models.
Minimum clearance to remove unit.

Air pilot operated plus manual shut-off with lockout



** 200 mm for 1 1/4 and 1 1/2 models.
Minimum clearance to remove unit.