

EXCELON[®] QUIKCLAMP SYSTEM

Lubricators

L72, L73, L74 - G1/4 ... G3/4



L72

L73

L74

Excelon design allows in-line or modular installation

Flow sensor provides a nearly constant oil/air ratio over a wide range of flows

All round (360°) visibility of sight-feed dome for ease of drip rate setting

Micro-fog lubricators for best lubrication in general purpose pneumatic applications

TECHNICAL DATA

Medium:

Compressed air

Maximum inlet pressure:

10 bar

Start point:

L72M 0,94 dm³/s

L73M 0,71 dm³/s

L74M 0,94 dm³/s

Minimum flow required for lubricator operation at 6,3 bar inlet pressure

Bowl capacity:

L72 0.05 l

L73 0.10 l

L74 0.20 l

Ambient temperature:

-20°C ... +50°C

Consult our Technical Service for use below +2°C

MATERIALS

L72M, L72C

Body: zinc

Transparent bowl: polycarbonate

Metal bowl: zinc

Liquid level indicator lens (metal bowl): transparent nylon

Sight-feed dome: transparent nylon

Elastomers: neoprene, nitrile & TPE

L73M, L73C, L74M, L74C

Body: aluminium

Transparent bowl: polycarbonate

Guarded transparent bowl: polycarbonate with steel guard

Metal bowl: aluminium

Liquid level indicator lens (metal bowl, 0,1 & 0,2 litre): transparent nylon (Pyrex optional)

Sight-feed dome: transparent nylon

Elastomers: neoprene & nitrile

Port size	Flow* (dm ³ /s)	Bowl	kg	MODELS	ACCESSORIES	SERVICE KIT
					Wall mounting bracket	
G 1/4	24	T	0,49	L72M-26P-ETN	4224-50	L72M-KIT
G 3/8	24	T	0,49	L72M-36P-ETN	4224-50	L72M-KIT
G 1/4	50	T	0,49	L73M-26P-ETN	4424-50	L73M-KIT
G 3/8	64	T	0,55	L73M-36P-ETN	4424-50	L73M-KIT
G 1/2	64	T	0,55	L73M-46P-ETN	4424-50	L73M-KIT
G 3/8	50	GT	0,60	L74M-36P-QPN	4324-50	L74M-KIT
G 1/2	70	GT	0,60	L74M-46P-QPN	4324-50	L74M-KIT
G 3/4	70	GT	0,90	L74M-66P-QPN	4324-50	L74M-KIT

T=Transparent bowl * Typical flow with 6.3 bar inlet and 0.5 bar pressure drop
GT= Guarded transparent bowl

ACCESSORIES

Series	Port size	3/2 Shut-off valve*	Quikclamp	Quikclamp and quikclamp wall bracket	Silencer (shut-off valve)
L72	G1/4	T72T-2GA-P1N	4214-51	4214-52	T40M0500
	G3/8	T72T-3GA-P1N	4214-51	4214-52	T40M0500
L73	G1/4	T73T-2GA-P1N	4314-51	4314-52	T40M0500
	G3/8	T73T-3GA-P1N	4314-51	4314-52	T40M0500
	G1/2	T73T-4GA-P1N	4314-51	4314-52	T40M0500
L74	G3/8	T74T-3GA-P1N	4314-51	4314-52	T40B1800
	G1/2	T74T-4GA-P1N	4314-51	4314-52	T40B1800
	G3/4	T74T-6GA-P1N	4314-51	4314-52	T40B1800

*Threaded exhaust port

For further information



www.norgren.com/info/en6-046

OPTIONS SELECTOR

Series	Substitute
72*	2
73*	3
74	4

* Not available with 1 litre bowl

Type	Substitute
Oil-fog	C
Micro-fog	M

Port size	Substitute
1/4 (72 & 73)	2
3/8	3
1/2 (73 & 74)	4
3/4 (74)	6

Threads	Substitute
PTF	A
ISO Rc taper	B
ISO G parallel	G

L7***-**P-***

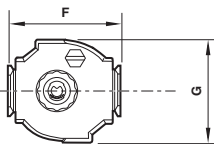
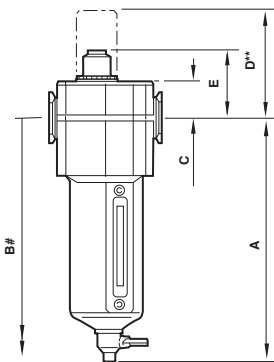
Options	Substitute
Low oil level switch** (74)	L
None	N
Pyrex dome#	P
Quick fill nipple (73, 74)	Q

Bowl	Substitute
Metal with liquid level indicator	D
Metal with Pyrex sight glass	R
Transparent without guard (72, 73)	T
Long transparent without guard (72)	L
Long transparent with guard (72)	W
1 litre metal with Pyrex liquid level indicator‡ (74)	A
0,2 litre transparent with guard (73, 74)	P*

Drain	Substitute
Closed bottom	E
Manual 1/4 turn	Q

* Not available with 1 litre bowl
 ** Low oil level switch requires 1 litre bowl, type 'A' at 9th digit
 # Pyrex dome used only with bowl type 'A' or 'R' at 9th digit
 ‡ Pyrex liquid level indicator used only with option 'P' at 10th digit

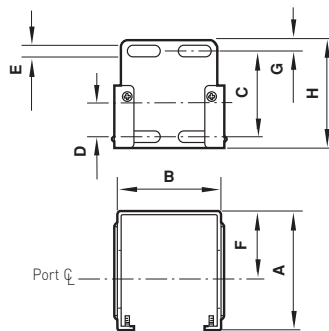
DIMENSIONS



** Optional Pyrex sight-feed dome
 # Minimum clearance required to remove bowl

Series	A	B	C	D	E	F	G
L72	110	191	19	64	41	50	48
L73	156	255	25	70	47	68	62
L74	177	276	25	68	47	80	74

Bracket mounting



Series	A	B	C	D	E	F	G	H
L72	60	42	39	18,6	4	38	6	51
L73	67	60	48	19	7	38	6	61
L74	79	69	50	20	5	51	6	61

FLOW CHARACTERISTICS

