

**2/2 directional control valves**  
**Actuation: electromagnetic**  
**Indirectly controlled poppet valves**  
**Port size G 1/2 to G 2**

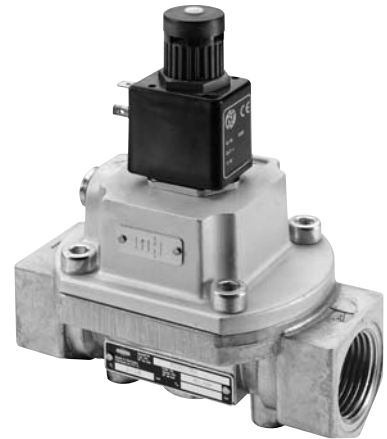
**High flow rate**

**For high switching frequency even  
with low electrical power consumption**

**Easily interchangeable solenoid system**

**Standard manual override with  
normally closed valves**

**Optionally air pilot operated**

**Technical data**

Medium:

Compressed air, filtered, lubricated or non-lubricated

Operation:

Solenoid operated, indirectly controlled

Mounting position:

Optional, preferably vertical

Operating pressure:

Up to 18 bar, depending on design

Nominal size:

12 to 50 mm

Port size:

G 1/2 to G 2

Operating temperature:

-10 to +60°C

\*Please contact our technical service for use below +2°C.

Flow direction:

Fixed

**Materials**

Housing: aluminium

Sealing: polyurethane (AU)

Inner parts: POM

**Ordering example**

See page 2

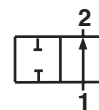
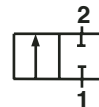
**Further versions**

With manual override

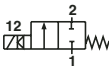
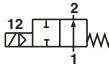
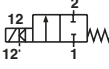
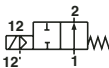
Double coil

**Connectors**

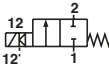
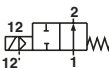
See data sheet N/UK 7.7.002



## General information

Symbol	Type*	Port size	Nominal size	Operating pressure (bar)		Control pressure (bar)		Flow (l/min)	Switching time (ms)	Weight (kg)	Dimension No.
				min.	max.	min. *2)	max. *2)				
	7030117	G 1/2	12	1	16	–	–	3000	20	0,2	1
	7030119 *1)	G 1/2	12	1	16	–	–	3000	20	0,2	1
	7032130	G 3/4	20	1	16	–	–	8500	25	1,2	3
	7032230	G 1	25	1	16	–	–	8500	25	1,2	3
	7032330	G 1 1/4	32	1	16	–	–	10600	40	1,3	3
	7032430	G 1 1/2	40	1	10	–	–	29400	190	2,6	3
	7032530	G 2	50	1	10	–	–	29400	190	2,6	3
	7030707 *1)	G 1/2	12	1	18	–	–	3000	20	0,2	1
	7032630	G 3/4	20	1	15	–	–	8500	25	1,2	3
	7032730	G 1	25	1	15	–	–	8500	25	1,2	3
	7032830	G 1 1/4	32	1	15	–	–	10600	40	1,3	3
	7032930	G 1 1/2	40	1	10	–	–	29400	190	2,6	3
	7033030	G 2	50	1	10	–	–	29400	190	2,6	3
	7032131	G 3/4	20	0	15	1	16	8500	25	1,2	3
	7032231	G 1	25	0	15	1	16	8500	25	1,2	3
	7032331	G 1 1/4	32	0	15	1	16	10600	40	1,3	3
	7032431	G 1 1/2	40	0	10	1	11	29400	190	2,6	3
	7032531	G 2	50	0	10	1	11	29400	190	2,6	3
	7032631	G 3/4	20	0	14	1	15	8500	25	1,2	3
	7032731	G 1	25	0	14	1	15	8500	25	1,2	3
	7032831	G 1 1/4	32	0	14	1	15	10600	40	1,3	3
	7032931	G 1 1/2	40	0	10	1	11	29400	190	2,6	3
	7033031	G 2	50	0	10	1	11	29400	190	2,6	3

## Valves for vacuum

Symbol	Type*	Port size	Nominal size	Operating pressure (bar)		Control pressure (bar)		Flow (l/min)	Switching time (ms)	Weight (kg)	Dimension No.
				min.	max.	min. *2)	max. *2)				
	7030118	G 1/2	12	1 mbar	6 bar	4	10	3000	20	0,55	2
	7032132	G 3/4	20	1 mbar	6 bar	4	10	8500	25	1,2	3
	7032232	G 1	25	1 mbar	6 bar	4	10	8500	25	1,2	3
	7032332	G 1 1/4	32	1 mbar	6 bar	4	10	10600	40	1,3	3
	7032432	G 1 1/2	40	1 mbar	6 bar	4	10	29400	190	2,6	3
	7032532	G 2	50	1 mbar	6 bar	4	10	29400	190	2,6	3
	7030709	G 1/2	12	1 mbar	6 bar	4	10	3000	20	0,55	2
	7032632	G 3/4	20	1 mbar	6 bar	4	10	8500	25	1,2	3
	7032732	G 1	25	1 mbar	6 bar	4	10	8500	25	1,2	3
	7032832	G 1 1/4	32	1 mbar	6 bar	4	10	10600	40	1,3	3
	7032932	G 1 1/2	40	1 mbar	6 bar	4	10	29400	190	2,6	3
	7033032	G 2	50	1 mbar	6 bar	4	10	29400	190	2,6	3

\* When ordering please indicate solenoid, voltage and current type (frequency).

1) For fluid temperature to max. 100 °C.

2) Required pilot pressure 1 bar  $\geq$  operating pressure; with vacuum min. 4 bar, with positive pressure = operating pressure + 4 bar.

## Ordering example

2/2 way solenoid valve, n/o  
externally pilot operated,  
port size G1, protection class IP65,  
voltage 24 V DC

**Type: 7032731.0200.024.00**

## Warning

These products are intended for use in industrial compressed air systems only. Do not use these products where pressures and temperatures can exceed those listed under 'Technical Data'.

Before using these products with fluids other than those specified, for non-industrial applications, life-support systems, or other applications not within published specifications, consult **NORGREN**.





Through misuse, age, or malfunction, components used in fluid power systems can fail in various modes.

The system designer is warned to consider the failure modes of all component parts used in fluid power systems and to provide adequate safeguards to prevent personal injury or damage to equipment in the event of such failure.

**System designers must provide a warning to end users in the system instructional manual if protection against a failure mode cannot be adequately provided.**

System designers and end users are cautioned to review specific warnings found in instruction sheets packed and shipped with these products.

## Parameters for solenoids

	Type	Current consumption		Nominal current		Ex-protection	Protection class	Temperature Ambient/Fluid	Elektr. port Größe	Weight (kg)	Dimension No.	Circuit diagram No.
		24 V DC (W)	230 V AC (VA)	24 V DC (mA)	230 V AC							
	0200 *7)	12,1	-	504	-	-	IP 65 (with connector) *5)	-25 to +60/ max. 80	Connector DIN EN 175301-803 Form A *6)	0,117	5	1
	0290	10,7	-	446	-	II2G II2D	EEx m II T4 IP 66 T 110°C *1)	T4: -20 to +50	3 m long	0,400	9	4
	0291	-	12,4	-	54	II2G II2D	EEx m II T4 IP 66 T 110°C *1)	T4: -20 to +50	3 m long	0,400	9	7
	4230 *8)	11,4	-	475	-	II2G II2D	EEx me II T5/T4 IP66 T 130°C *2)	T5: -40 to +40 T4: -40 to +50	M20 x 1,5 *6)	0,500	10	4
	4231 *8)	-	15,2	-	66	II2G II2D	EEx me II T5/T4 IP66 T 130°C *2)	T5: -40 to +40 T4: -40 to +50	M20 x 1,5 *6)	0,500	10	7
	3726	13,6	-	567	-	-	Div 1 and 2 KI.I, Gr.A-D KI.II, Gr. E-G KI.III T3C (160°C) NEMA 4,4X, 6,6P, 7,9 *4)	-20 to +60	Flying leads 450 mm long	0,500	12	1
	3727	-	15,7	-	68	-	Div 1 and 2 KI.I, Gr.A-D KI.II, Gr. E-G KI.III T3C (160°C) NEMA 4,4X, 6,6P, 7,9 *4)	-20 to +60	Flying leads 450 mm long	0,500	12	5

Standard voltages 24 V DC, 230 V AC, other voltages on request design acc. to VDE 0580, EN50014/50028 100% duty cycle

\*1) EC-Type-Examination-Certificate KEMA 02 ATEX 1347X

\*2) EC-Type-Examination-Certificate KEMA 98 ATEX 4452 X

\*3) EC-Type-Examination-Certificate PTB 02 ATEX 2085 X

\*5) Required connector: type 0570275

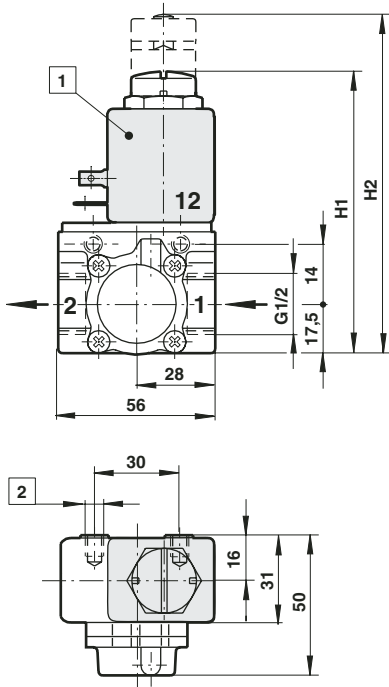
\*6) Connector/Cable gland is not indicated in delivery

\*7) IP65 according to DIN 40050/IEC 529 and DIN EN 600068-2-38

\*8) This solenoid has a fuse with an appropriate rating

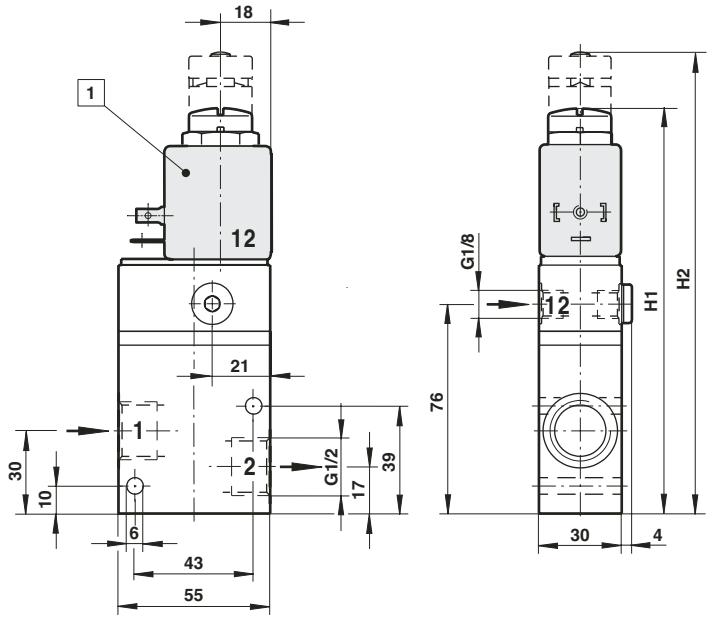
Basic dimensions valves

①



Type	H1	H2
7030117	-	121
7030119	-	121
7030707	100	-

②

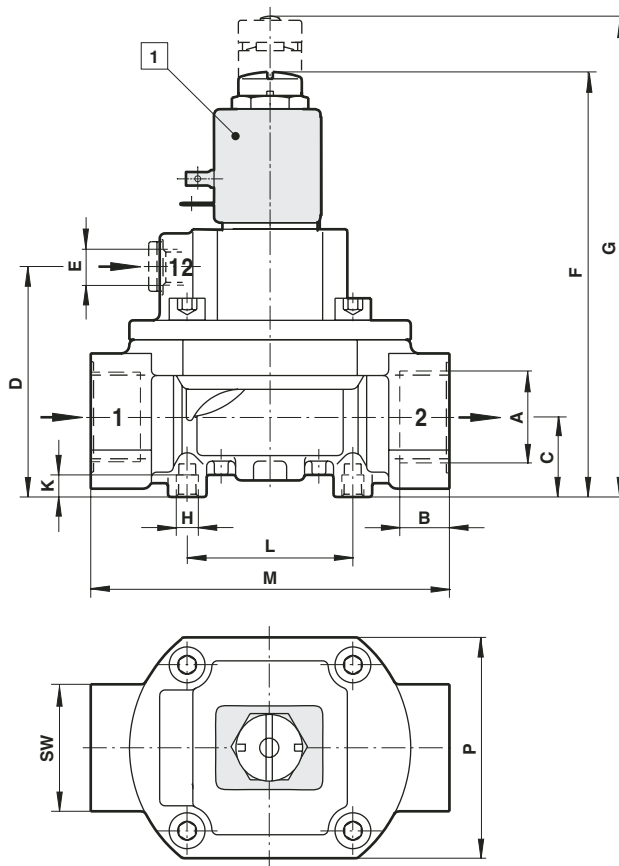


1	Solenoid rotate 4 x 90°
2	M6 x 7,5 deep

Type	H1	H2
7030118	-	167
7030709	147	-

**Basic dimensions valves**

③

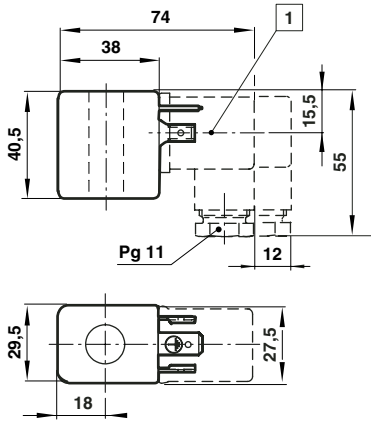


**1** Solenoid rotate 4 x 90°

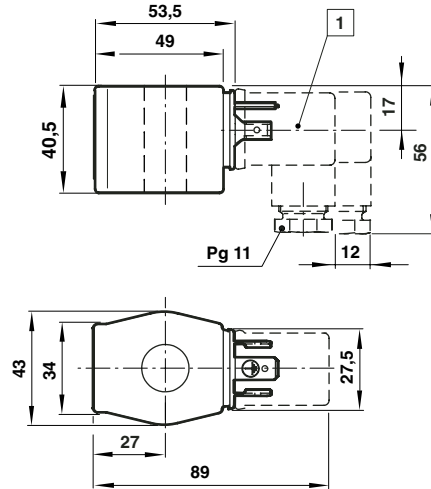
Type	A	B	C	D	E	F	G	H	K	L	M	N	N	P	SW
703213	G 3/4	20	29	83,5	G 1/4	-	174	M8	8	60	130	55	39	80	46
703263	G 3/4	20	29	83,5	G 1/4	154	-	M8	8	60	130	55	40	80	46
703223	G 1	18	29	83,5	G 1/4	-	174	M8	8	60	130	55	40	80	46
703273	G 1	18	29	83,5	G 1/4	154	-	M8	8	60	130	55	42	80	46
703233	G 1 1/4	20	33	91	G 1/4	-	181	M8	8	60	130	55	46	Ø 108	55
703283	G 1 1/4	20	33	91	G 1/4	161	-	M8	8	60	130	55	56	Ø 108	55
703243	G 1 1/2	28	45	132,5	G 1/4	-	222	M8	12	90	182	55	39	Ø 142	75
703293	G 1 1/2	28	45	132,5	G 1/4	202	-	M8	12	90	182	55	40	Ø 142	75
703253	G 2	28	45	132,5	G 1/4	-	222	M8	12	90	182	55	40	Ø 142	75
703303	G 2	28	45	132,5	G 1/4	202	-	M8	12	90	182	55	42	Ø 142	75

**Basic dimensions solenoids**

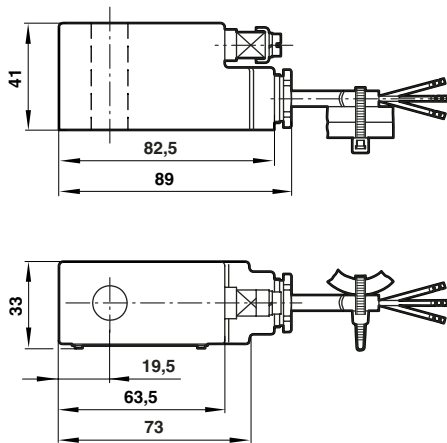
⑤



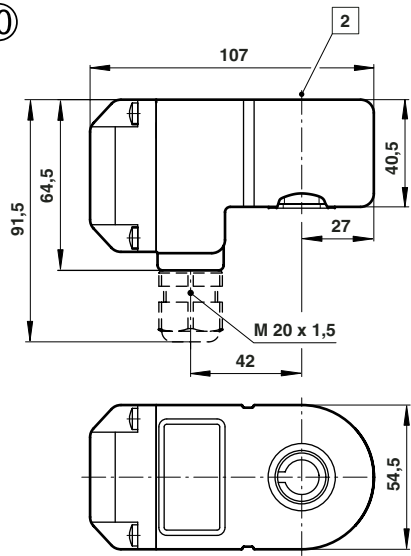
⑦



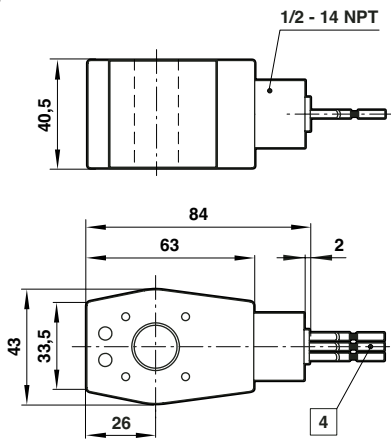
⑨



⑩



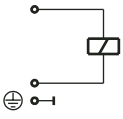
⑫



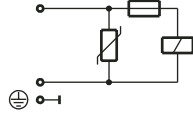
- 1 Connector rotate 4 x 90°
- 2 Ø 13 (with adaptor sleeve)
- 3 M20 x 1,5 or 1/2 - 14 NPT
- 4 Lace AWG 18 (450 mm long)

**Circuit diagram**

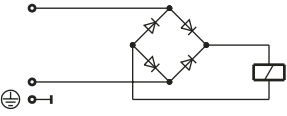
①



④



⑤



⑦

