

EXCELON[®] QUIKCLAMP SYSTEM

Oil vapour removal filters

F72V, F74V - G1/4 ... G3/4



F72V

F74V

Excelon design allows in-line or modular installation with other Excelon products

Adsorbing type activated carbon element removes oil vapours and most hydrocarbon odours

Quick release bayonet bowl

High intensity blue colour change indication (F72V)

TECHNICAL DATA

Medium:

Compressed air

Maximum inlet pressure:

10 bar (F72V)

17 bar (F74V)

Remaining oil content:

0,003 mg/m³ max. at +21°C

Ambient temperature:

Transparent bowl: -34°C ... +50°C (F72V)

Metal bowl: -34°C ... +65°C (F74V)

Consult our Technical Service for use below +2°C

MATERIALS

F72V

Body: zinc

Transparent bowl: polycarbonate

Metal bowl: zinc

Element: activated carbon & polycarbonate

Elastomers: nitrile

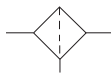
F74V

Body & bowl: aluminium

Element: activated carbon & aluminium

Elastomers: neoprene & nitrile

Port size	Flow* (dm ³ /s)	Bowl	kg	MODELS		ACCESSORIES	SERVICE KIT
						Wall mounting bracket	
G 1/4	1,6	T	0,52		F72V-2GN-ETC		F72V-KITA0V
G 3/8	1,6	T	0,52		F72V-3GN-ETC		F72V-KITA0V
G 3/8	13	M	1,15		F74V-3GN-EMA		F74V-KITA0V
G 1/2	13	M	1,14		F74V-4GN-EMA		F74V-KITA0V
G 3/4	13	M	1,12		F74V-6GN-EMA		F74V-KITA0V



T=Transparent bowl * To maintain stated oil content at 6.3 bar inlet pressure

M= Metal bowl

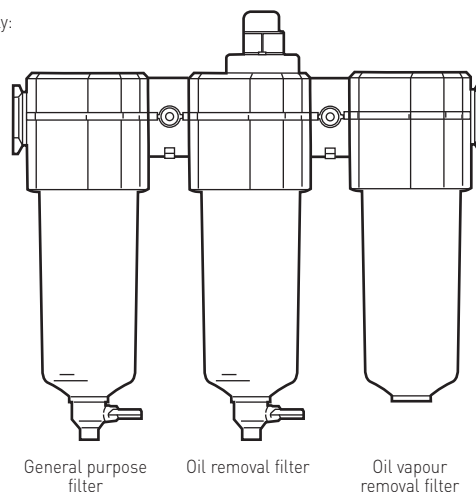
TYPICAL PERFORMANCE CHARACTERISTICS

Inlet pressure (bar)	Maximum flow dm ³ /s*	
	F72V	F74V
2,5	1,0	8,7
4	1,3	10,7
6,3	1,6	13,3
8	1,8	15,6
10	2,0	17,6

* Maximum flow to maintain stated oil removal performance

Oil vapour removal filters must be protected upstream by an oil removal filter.

A typical assembly:



For further information



www.norgren.com/info/en6-038

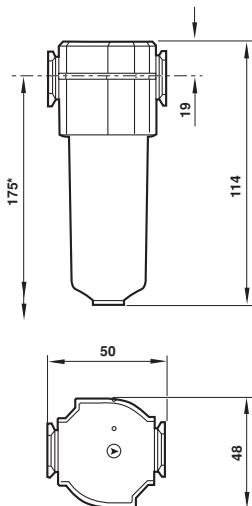
ACCESSORIES

Series	Port size	Quikclamp	Quikclamp and quikclamp wall bracket
F72V	G1/4	4214-51	4214-52
	G3/8	4214-51	4214-52
F74V	G3/8	4314-51	4314-52
	G1/2	4314-51	4314-52
	G3/4	4314-51	4314-52



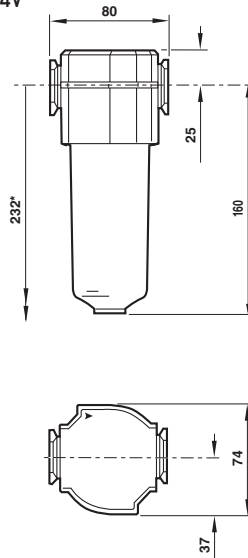
DIMENSIONS

F72V



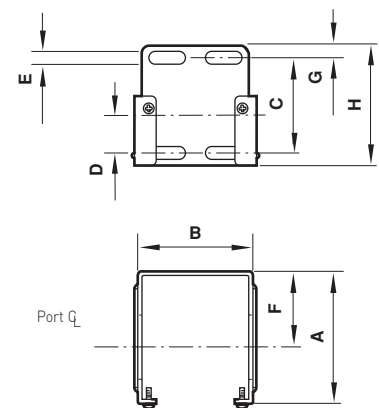
* Minimum clearance required to remove bowl

F74V



* Minimum clearance required to remove bowl

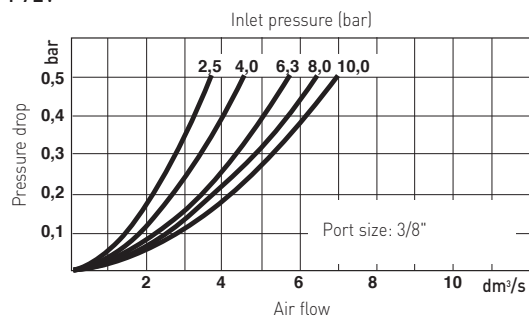
Bracket mounting



Series	A	B	C	D	E	F	G	H
72	60	42	39	18,6	4	38	6	51
74	79	69	50	20	5	51	6	61

FLOW CHARACTERISTICS

F72V



F74V

