

# OLYMPIAN PLUS PLUG-IN SYSTEM

## General purpose filters

F64G, F68G - G1/4 ... G1 1/2



F64G

F68G

Effective liquid removal and positive solid filtration  
 Large filter element area for minimum pressure drop  
 Standard options include element service indicator, manual drains and alternative filter elements

### TECHNICAL DATA

**Medium:**  
 Compressed air only  
**Maximum inlet pressure:**  
 17 bar  
**Ambient temperature:**  
 -20°C ... +80°C  
 Consult our Technical Service for use below +2°C

### MATERIALS

**F64G**  
 Body: zinc alloy  
 Bowl: aluminium  
 Yoke: aluminium  
 Filter element: sintered plastic  
 Elastomers: synthetic rubber

**F68G**  
 Body & bowl: aluminium  
 Yoke: aluminium  
 Filter element: sintered bronze or plastic  
 Elastomers: synthetic rubber

### F64G

Port size	kg	Flow* (dm <sup>3</sup> /s)	MODELS		ACCESSORIES			SERVICE KIT	
			Auto drain	Manual drain	Wall mounting bracket	3/2 Shut-off valve**	Silencer (shut-off valve)	Auto drain	Manual drain
G1/4	1,42	33	F64G-2GN-AD3	F64G-2GN-MD3	74504-50	T64T-2GB-P1N	T40B1800	F64G-KITA40	F64G-KITM40
G3/8	1,42	66	F64G-3GN-AD3	F64G-3GN-MD3	74504-50	T64T-3GB-P1N	T40B1800	F64G-KITA40	F64G-KITM40
G1/2	1,32	75	F64G-4GN-AD3	F64G-4GN-MD3	74504-50	T64T-4GB-P1N	T40B1800	F64G-KITA40	F64G-KITM40
G3/4	1,72	75	F64G-6GN-AD3	F64G-6GN-MD3	74504-50	T64T-6GB-P1N	T40B1800	F64G-KITA40	F64G-KITM40

\* Typical flow with 6.3 bar inlet pressure and 0.5 bar pressure drop

\*\*Threaded exhaust port. For replacement filter (without yoke) substitute 'N' at the 5th and 6th digits eg: F64G-NNN-AD3 (F64).

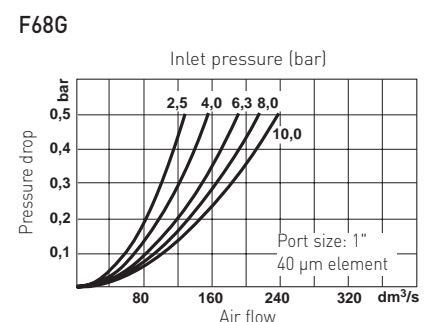
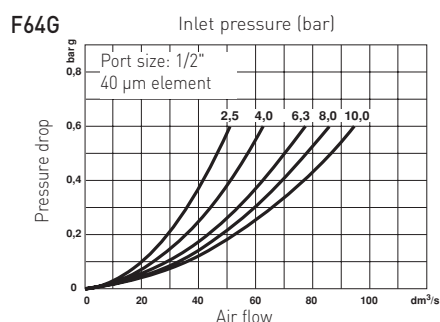
### F68G

Port size	kg	Flow* (dm <sup>3</sup> /s)	MODELS		ACCESSORIES			SERVICE KIT	
			Auto drain	Manual drain	Wall mounting bracket	3/2 Shut-off valve**	Silencer (shut-off valve)	Auto drain	Manual drain
G3/4	2,45	160	F68G-6GN-AR3	F68G-6GN-MR3	18-001-979	T68H-6GB-B2N	T40B2800	F68G-KITA40	F68G-KITM40
G1	2,33	190	F68G-8GN-AR3	F68G-8GN-MR3	18-001-979	T68H-8GB-B2N	T40B2800	F68G-KITA40	F68G-KITM40
G1 1/4	2,43	200	F68G-AGN-AR3	F68G-AGN-MR3	18-001-978	T68H-AGB-B2N	T40B2800	F68G-KITA40	F68G-KITM40
G1 1/2	2,30	200	F68G-BGN-AR3	F68G-BGN-MR3		T68H-BGB-B2N	T40B2800	F68G-KITA40	F68G-KITM40

\* Typical flow with 6.3 bar inlet pressure and 0.5 bar pressure drop

\*\*Threaded exhaust port. For replacement filter (without yoke) substitute 'N' at the 5th and 6th digits eg: F68G-NNN-AR3 (F68).

### FLOW CHARACTERISTICS



For further information



www.norgren.com/info/en6-063

# OLYMPIAN PLUS PLUG-IN SYSTEM

## General purpose filters

F64G, F68G - G1/4 ... G1 1/2

### OPTIONS SELECTOR

Port size	Substitute
1/4	2
3/8	3
1/2	4
3/4	6

Threads	Substitute
PTF	A
ISO Rc taper	B
ISO G parallel	G

Service life indicator	Substitute
Mechanical	D
Electrical	E
Without	N

F64G-★ ★ ★ - ★ ★ ★

Element	Substitute
5 µm	1
40 µm	3

Bowl	Substitute
Metal with liquid level indicator	D
Closed bowl*	E

Drain	Substitute
Manual	M
Auto drain	A

Port size	Substitute
3/4	6
1	8
1 1/4	A
1 1/2	B

Threads	Substitute
PTF	A
ISO Rc taper	B
ISO G parallel	G

Service life indicator	Substitute
Mechanical	D
Electrical	E
Without	N

F68G-★ ★ ★ - ★ ★ ★

Element	Substitute
5 µm	1
40 µm	3

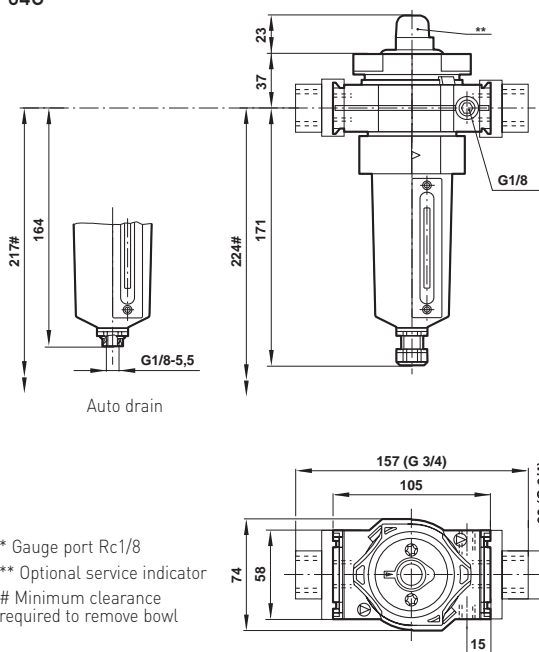
Bowl	Substitute
0,5 l with liquid level indicator	R
1 l with liquid level indicator	U

Drain	Substitute
Manual	M
Auto drain	A
Closed bowl *	E

\* For vacuum use.

### DIMENSIONS

#### F64G

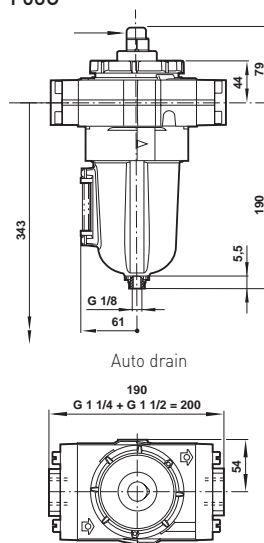


\* Gauge port Rc1/8

\*\* Optional service indicator

# Minimum clearance required to remove bowl

#### F68G



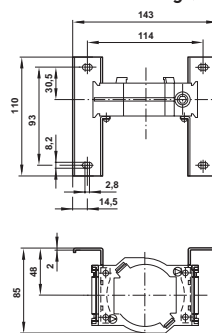
# Minimum clearance required to remove bowl

\*\* Optional service indicator

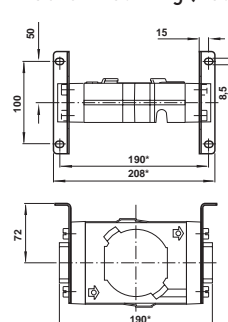
\* Manual drain

\*\*\* For 1 1/4" and 1 1/2" ported yokes add 10 mm

#### Bracket mounting (F64G)



#### Bracket mounting (F68G)



\*Add 10 mm for 1 1/4 and 1 1/2" models