

EXCEL 22 CNOMO

Solenoid actuated 22 & 30 mm poppet valves

Sub-base - 3/2, CNOMO



30 mm CNOMO interface base
 Lightweight plastic material
 22 mm or 30 mm low power coil options
 Circlip coil retention (threaded locknut diffuser option also available)

TECHNICAL DATA

Medium:
 Compressed air, filtered, lubricated and non-lubricated

Operating pressure:
 0 ... 16 bar (maximum)

Flow:
 Orifice Ø l/min
 1,0 30
 1,6 77

Ambient temperature:
 -20°C ... +50°C

Consult our Technical Service for use below +2°C.

MATERIALS

Base: acetal plastic resin
 Coil: glass reinforced thermoplastic
 Armature: stainless iron
 Stem tube: stainless steel
 Springs: stainless steel
 Seals: nitrile rubber (FKM top seat)

3/2 Normally closed, fitted with 22 mm coils

Symbol	Orifice (mm)	Operating pressure (bar)*	Power (W/VA)	Manual override	MODELS
	1,0	10	2 W/2,5 VA (5 VA, 230 V a.c.)	Push only	VSE4L4D1-A31*J
	1,0	16	7,5 W (6 W, 24 V d.c.)/8 VA	Push only	VSE4L4D1-A32*J
	1,0	10	2 W/2,5 VA (5 VA, 230 V a.c.)	Turn and lock	VSE4L4D1-A61*J
	1,0	16	7,5 W (6 W, 24 V d.c.)/8 VA	Turn and lock	VSE4L4D1-A62*J
	1,6	10	7,5 W (6 W, 24 V d.c.)/8 VA	Push only	VSE4L4G1-A32*J
	1,6	10	7,5 W (6 W, 24 V d.c.)/8 VA	Turn and lock	VSE4L4G1-A62*J

3/2 Normally closed, fitted with 30 mm coils

Symbol	Orifice (mm)	Operating pressure (bar)*	Power (W/VA)	Manual override	MODELS
	1,0	10	1,5 W/2 VA (3 VA, 230 V a.c.)	Push only	VSE4L4D1-A31*N
	1,0	16	4 W/8 VA	Push only	VSE4L4D1-A32*N
	1,0	10	1,5 W/2 VA (3 VA, 230 V a.c.)	Turn and lock	VSE4L4D1-A61*N
	1,0	16	4 W/8 VA	Turn and lock	VSE4L4D1-A62*N
	1,6	10	4 W/8 VA	Push only	VSE4L4G1-A32*N
	1,6	16	7,5 d.c. only	Push only	VSE4L4G1-A33*N
	1,6	10	4 W/8 VA	Turn and lock	VSE4L4G1-A62*N
	1,6	16	7,5 d.c. only	Turn and lock	VSE4L4G1-A63*N

*Insert voltage codes from table below.

Extended push button manual override. Change 11th digit to 5 e.g. VSE4L4D1-A51*J.

Without manual override. Change 11th digit to 1 e.g. VSE4L4D1-A11*J.

Threaded locknut diffuser. Change 10th digit to E e.g. VSE4L4D1-E31*J.

Voltage codes & spare coils for 10 bar solenoid models

Voltage	22 mm Coil with connector interface acc. to industrial standard			22 mm Coil with connector interface acc. to DIN 43650 table B			30 mm Coil with connector interface acc. to DIN 43650 table A		
	Code	Power inrush/hold	MODELS	Code	Power inrush/hold	MODELS	Code	Power inrush/hold	MODELS
12 V d.c.	12J	2 W	QM/48/12J/21	12L	2 W	V10626-A12L	22N	1,5 W	V10633-A22N
24 V d.c.	13J	2 W	QM/48/13J/21	13L	2 W	V10626-A13L	23N	1,5 W	V10633-A23N
24 V 50/60 Hz	14J	4/2,5 VA	QM/48/14J/21	14L	4/2,5 VA	V10626-A14L	24N	2 VA	V10633-A24N
48 V 50/60 Hz	-	-	-	-	-	-	26N	2 VA	V10633-A26N
110/120 V 50/60 Hz	18J	4/2,5 VA	QM/48/18J/21	18L	4/2,5 VA	V10626-A18L	28N	2 VA	V10633-A28N
220/240 V 50/60 Hz	19J	6/5 VA	QM/48/19J/21	19L	6/5 VA	V10626-A19L	29N	3 VA	V10633-A29N

For further information



www.norgren.com/info/en3-172

Voltage codes and spare coils for 16 bar models (CNOMO only)

Voltage	30 mm Coil with connector interface acc. to DIN 43650 table A		
	Code	Power inrush/hold	MODELS
24 V d.c.	33N	4 W	V10633-A33N
110/120 V a.c.	88N	8 VA	V10633-A88N
230 V a.c.	89N	8 VA	V10633-A89N

ELECTRICAL DETAILS - 22 mm coil

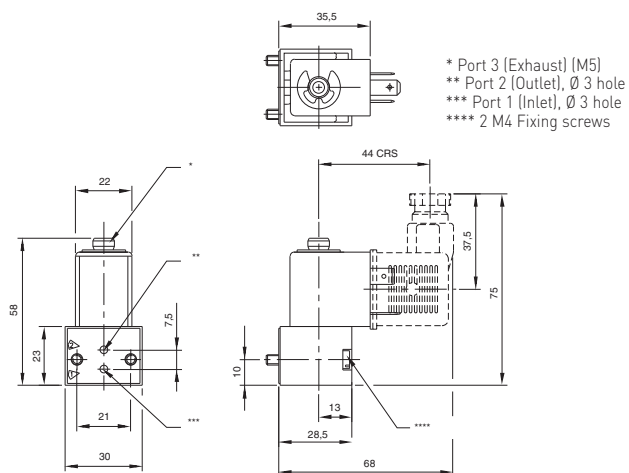
Voltage tolerance	±10%
Power consumption	2 & 7,5 W (6 W for 24 V d.c. high power coils)
Power inrush/hold	a.c. 2,5/4, 8/12 VA (5/9 VA for 230V 50/60 Hz a.c. low power coils)
Electrical duty	100% E.D.
Electrical connections	3 flat pin (Industrial standard)*
Manual override	Screwdriver - memory type Push only - non memory type
Protection class	IP 65 (DIN 40 050) with connector plug fitted

ELECTRICAL DETAILS - 30 mm coil (low power)

Voltage tolerance	±10%
Power consumption	1,5 & 4 & 7,5 W
Power inrush/hold	a.c. 2/3, 8/10 VA (3/4 VA for 230 V 50/60 HZ a.c. low power coils)
Electrical duty	100% E.D.
Electrical connections	3 pin table A DIN 436 50
Manual override	Screwdriver - memory type Push button - non memory type
Protection class	IP 65 (DIN 40 050) with connector plug fitted

DIMENSIONS

22 mm coil option



30 mm coil option

