

# T-LOCKOUT

## 3/2 Spool valve

CR14 - G1/4 ... G1 1/4

CR14



Fully isolates supply pressure  
 Lockable  
 Rapid exhaust  
 Ideal for isolating supply lines during maintenance and servicing  
 High flow

### TECHNICAL DATA

**Medium:**  
 Compressed air, filtered, lubricated and non-lubricated

**Operation:**  
 Spool valve, manually actuated

**Port size:**  
 G1/4 ... G1 1/4

**Operating pressure:**  
 20 bar maximum

**Flow:**  
 Refer to tables overleaf

**Operating temperature:**  
 -30°C ... +80°C

Consult our Technical Service for use below +2°C

### MATERIALS

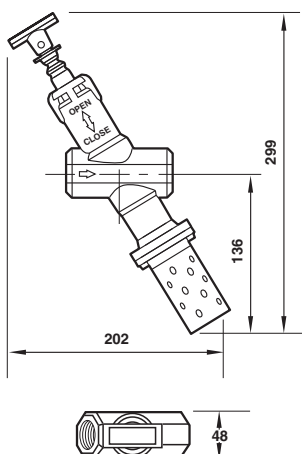
Aluminium body, spool, T-handle and silencer, stainless steel detent spring, nitrile seals

	Basic size	Port size	Flow in-out [Cv]	Flow out-exhaust [Cv]	MODELS	SPARE KIT
	1/2"	G1/4	4,2	6,0	CR143A	53474-43
	1/2"	G3/8	6,6	6,6	CR143B	53474-43
	1/2"	G1/2	9,3	7,9	CR143C	53474-43
	1/2"	G3/4	12,6	8,6	CR143D	53474-43
	1"	G3/4	10,6	8,0	CR144A	53475-34
	1"	G1	16,2	9,2	CR144B	53475-34
	1"	G1 1/4	25,3	8,9	CR144C	53475-34

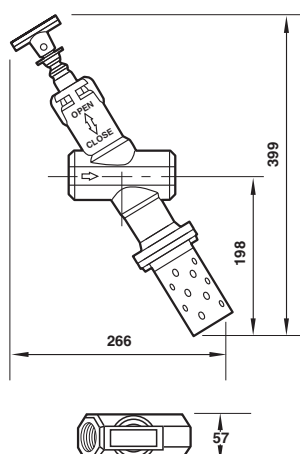


### DIMENSIONS

1/2" Basic



1" Basic



For further information



[www.norgren.com/info/en6-084](http://www.norgren.com/info/en6-084)