

# OLYMPIAN PLUS PLUG-IN SYSTEM

## Boxed sets and combination units - Filter/regulators and lubricators

BL64, BL68, FL64 - G1/4, G1/2



BL64



BL68

Complete air processing units pre-assembled, ready to install

**Boxed sets include:**  
filter/regulator and micro-fog lubricator complete with exhausting shut-off valve, pressure gauge and mounting brackets

Filter-regulator and micro-fog lubricator combinations

Filter and micro-fog lubricator combinations

### TECHNICAL DATA

**Medium:**

Compressed air only

**Maximum inlet pressure:**

17 bar

**Ambient temperature:**

-20°C ... +80°C

Consult our Technical Service for use below +2°C

**Pressure range:**

BL64: 0,3...10 bar

BL68: 0,4...8 bar

**Gauge ports:**

Rc 1/8

**Element:**

40 µm

**Operation:**

Relieving

### ALTERNATIVE MODELS

Manual drains and oil-fog lubricators also available.

Contact our Technical Service. For combinations not listed quote individual part numbers for basic units and yokes, see Olympian Accessories.

### MATERIALS

**BL64 & FL64**

Body and yoke: zinc alloy

Bowl: aluminium

Element: sintered plastic

Elastomers: synthetic rubber

**BL68 & FL68**

Body & bowl: aluminium

Filter element: sintered bronze or plastic

Elastomers: synthetic rubber

### BOXED SETS

Port size	kg	MODELS		ACCESSORIES		
		Auto drain	Manual drain	Tamper resistant kit	Quick fill nipple	Silencer (shut-off valve)
	4,15					
		BL64-401	BL64-421			
	5,99					
G1	5,99	BL68-801	BL68-821	4355-51	18-011-021	T40B2800

For service kit numbers refer to individual units.

For further information





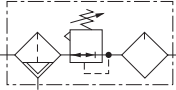
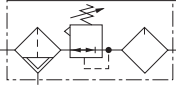
www.norgren.com/info/en6-059

# OLYMPIAN PLUS PLUG-IN SYSTEM



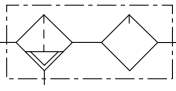
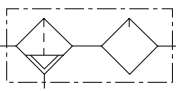
## Boxed sets and combination units - Filter/regulators and lubricators

BL64, BL68, FL64 - G1/4, G1/2

### FILTER/REGULATOR & LUBRICATOR COMBINATIONS - (without shut off valve, gauge and bracket)

		MODELS				ACCESSORIES		
Port size	kg	Auto drain	Manual drain		Tamper resistant kit	Quick fill nipple	Silencer (shut-off valve)	
								
	G1/4	3,19	<b>BL64-208</b>	<b>BL64-228</b>	4355-51	18-011-024	T40B1800	
	G3/8	3,19	<b>BL64-308</b>	<b>BL64-328</b>	4355-51	18-011-024	T40B1800	
	G1/2	2,73	<b>BL64-408</b>	<b>BL64-428</b>	4355-51	18-011-024	T40B1800	
	G3/4	3,56	<b>BL64-608</b>	<b>BL64-628</b>	4355-51	18-011-024	T40B1800	
	G3/4	4,94	<b>BL68-608</b>	<b>BL68-628</b>	4355-51	18-011-021	T40B2800	
	G1	5,26	<b>BL68-808</b>	<b>BL68-828</b>	4355-51	18-011-021	T40B2800	
	G1 1/4	6,50	<b>BL68-A08</b>	<b>BL68-A28</b>	4355-51	18-011-021	T40B2800	
	G1 1/2	6,05	<b>BL68-B08</b>	<b>BL68-B28</b>	4355-51	18-011-021	T40B2800	

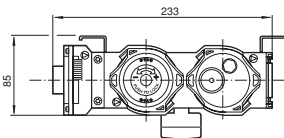
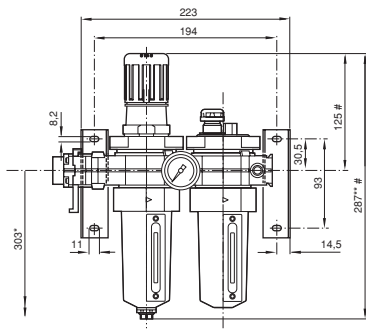
### FILTER & LUBRICATOR COMBINATIONS - (without bracket)

		MODELS				ACCESSORIES		
Port size	kg	Auto drain	Manual drain		Tamper resistant kit	Quick fill nipple	Silencer (shut-off valve)	
								
	G1/4	2,50	<b>FL64-208</b>	<b>FL64-228</b>	4355-51	18-011-024	T40B1800	
	G3/8	2,52	<b>FL64-308</b>	<b>FL64-328</b>	4355-51	18-011-024	T40B1800	
	G1/2	2,43	<b>FL64-408</b>	<b>FL64-428</b>	4355-51	18-011-024	T40B1800	
	G3/4	2,91	<b>FL64-608</b>	<b>FL64-628</b>	4355-51	18-011-024	T40B1800	
	G3/4	3,90	<b>FL68-608</b>	<b>FL68-628</b>	4355-51	18-011-021	T40B2800	
	G1	3,90	<b>FL68-808</b>	<b>FL68-828</b>	4355-51	18-011-021	T40B2800	
	G1 1/4	4,05	<b>FL68-A08</b>	<b>FL68-A28</b>	4355-51	18-011-021	T40B2800	
	G1 1/2	4,05	<b>FL68-B08</b>	<b>FL68-B28</b>	4355-51	18-011-021	T40B2800	

## DIMENSIONS

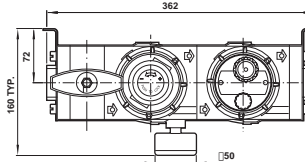
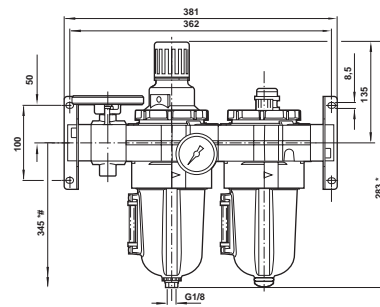
### Boxed sets

BL64-401



\* Minimum clearance required to remove bowl  
 \*\* Automatic  
 # Reduces by 4 mm with knob in locked position  
 Weight: 3,58 kgm

BL68-801

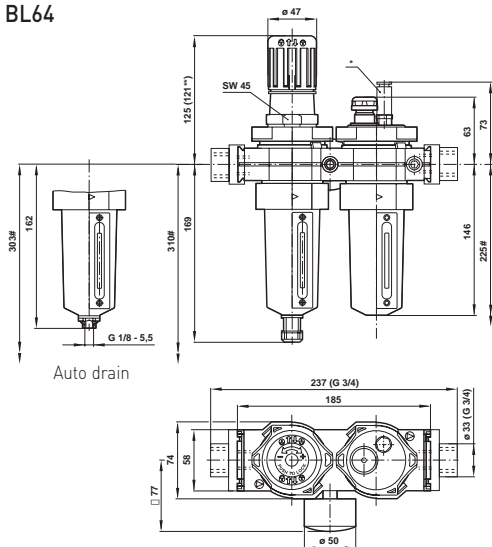


\* Minimum clearance required to remove bowl  
 # Reduces by 4 mm with knob in locked position  
 Weight: 6,69 kg

See also our Olympian Plus duplex system specifically designed for use in process plant and on main machinery installations and other equipment in continuous use where not even the shortest interruption of services is permissible.

### Filter/regulator & lubricator combinations

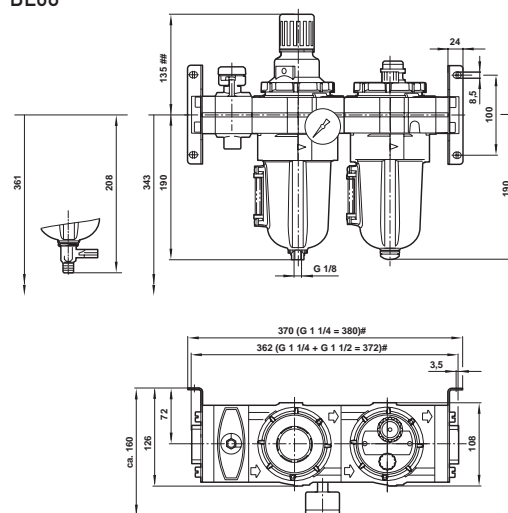
BL64



Auto drain

\* Optional quick fill connector  
 \*\* Knob in locked position  
 # Minimum clearance required to remove bowl.

BL68



\* Manual drain  
 # Minimum clearance required to remove bowl.

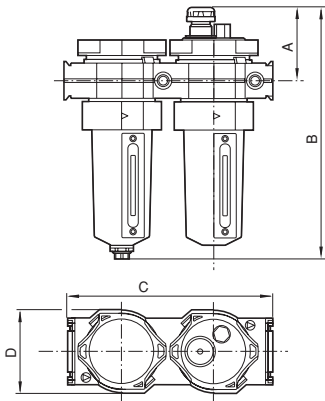
# OLYMPIAN PLUS PLUG-IN SYSTEM

## Boxed sets and combination units - Filter/regulators and lubricators

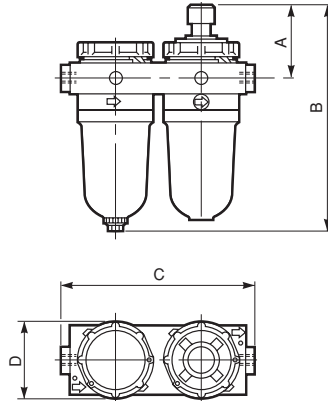
BL64, BL68, FL64 - G1/4, G1/2

### Filter/lubricator combinations

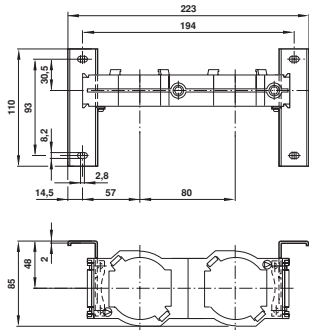
FL64



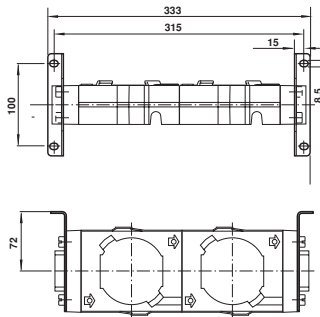
FL68



BL64 & FL64 Bracket mounting



BL68 & FL68 Bracket mounting



Series	Port size	A	B	C	D	kg
FL64	G1/4, G3/8, G1/2	63	227	233	74	2,99
	G3/4	63	227	262	74	2,99
FL68	G3/4, G1	75	263	315	112	4,6
	G1 1/4, G1 1/2	75	263	325	112	4,6