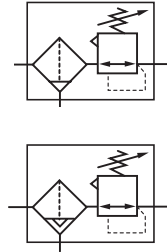


**High efficiency water removal**  
**Good regulation characteristics**  
**Non-rising adjusting knob has snap-action lock**



### Technical features

**Medium:**

Compressed air only

**Max. inlet pressure:**

17 bar

**Pressure range:**

B64: 0,3 ... 10 bar standard  
 0,3 ... 4 and 0,7 ... 17 optional  
 B68: 0,4 ... 8 bar standard  
 0,3 ... 4 and 0,7 ... 17 optional

**Filter element:**

40 µm standard, 5 µm optional

**Port size:**

G1/4, G3/8, G1/2, G3/4, G1, G1 1/4 and G1 1/2

Gauge port: Rc 1/8

**Drain:**

Manual or automatic

**Relieving:**

Standard

**Fluid/Ambient temperature:**

-20 ... 80°C

Air supply must be dry enough to avoid ice formation at temperatures below +2°C

**Material:**

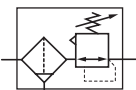
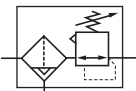
**B64G**

Body & yoke: zinc alloy  
 Bonnet & bowl: aluminium  
 Elastomers: synthetic rubber  
 Filter element: sintered plastic

**B68G**

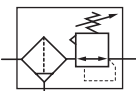
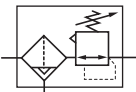
Body, bonnet, bowl & yoke: aluminium  
 Adjusting knob: acetal resin  
 Elastomers: synthetic rubber  
 Filter element: sintered plastic

### Technical data B64, standard models

Symbol	Port size	Pressure range (bar)	Element (µm)	Flow* (dm <sup>3</sup> /s)	Bowl	Drain	Weight (kg)	Model
	G1/4	0,3 ... 10	40	30	Metal	Manual	1,71	B64G-2GK-MD3-RMN
	G3/8	0,3 ... 10	40	76	Metal	Manual	1,69	B64G-3GK-MD3-RMN
	G1/2	0,3 ... 10	40	106	Metal	Manual	1,66	B64G-4GK-MD3-RMN
	G3/4	0,3 ... 10	40	106	Metal	Manual	2,02	B64G-6GK-MD3-RMN
	G1/4	0,3 ... 10	40	30	Metal	Automatic	1,71	B64G-2GK-AD3-RMN
	G3/8	0,3 ... 10	40	76	Metal	Automatic	1,69	B64G-3GK-AD3-RMN
	G1/2	0,3 ... 10	40	106	Metal	Automatic	1,66	B64G-4GK-AD3-RMN
	G3/4	0,3 ... 10	40	106	Metal	Automatic	2,02	B64G-6GK-AD3-RMN

\* Typical flow with 10 bar inlet pressure, and 1 bar set pressure and 1 bar drop from set.  
 For replacement filter/regulator (without yoke) substitute "N" at the 5th and 6th digits eg. B64G-NNK-AD3-RMN

### Technical data B68, standard models

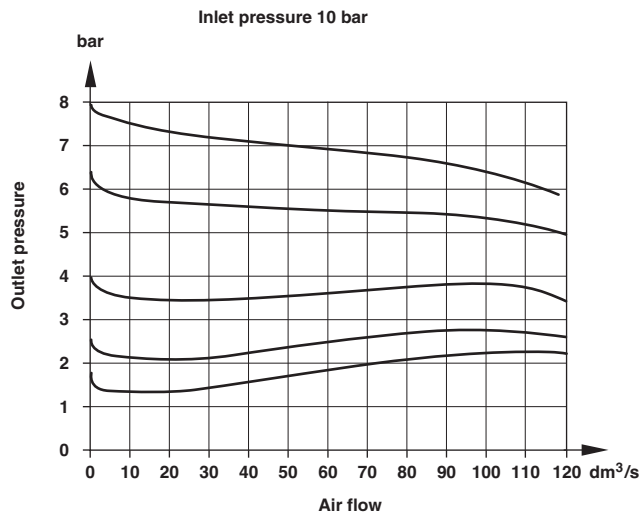
Symbol	Port size	Pressure range (bar)	Element (µm)	Flow* (dm <sup>3</sup> /s)	Bowl	Drain	Weight (kg)	Model
	G3/4	0,4 ... 8	40	240	Metal	Manual	3,29	B68G-6GK-MR3-RLN
	G1	0,4 ... 8	40	240	Metal	Manual	3,29	B68G-8GK-MR3-RLN
	G1 1/4	0,4 ... 8	40	240	Metal	Manual	3,35	B68G-AGK-MR3-RLN
	G1 1/2	0,4 ... 8	40	240	Metal	Manual	3,35	B68G-BGK-MR3-RLN
	G3/4	0,4 ... 8	40	240	Metal	Automatic	3,29	B68G-6GK-AR3-RLN
	G1	0,4 ... 8	40	240	Metal	Automatic	3,29	B68G-8GK-AR3-RLN
	G1 1/4	0,4 ... 8	40	240	Metal	Automatic	3,35	B68G-AGK-AR3-RLN
	G1 1/2	0,4 ... 8	40	240	Metal	Automatic	3,35	B68G-BGK-AR3-RLN

\* Typical flow with 10 bar inlet pressure, and 1 bar set pressure and 1 bar drop from set.  
 For replacement filter/regulator (without yoke) substitute "N" at the 5th and 6th digits eg. B68G-NNK-AR3-RLN

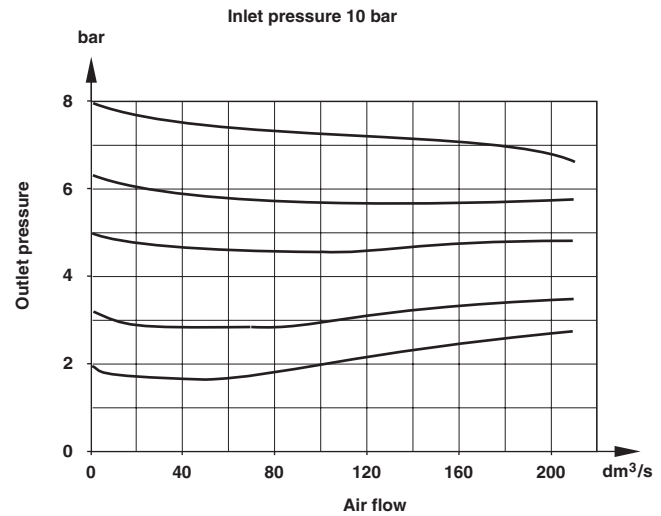
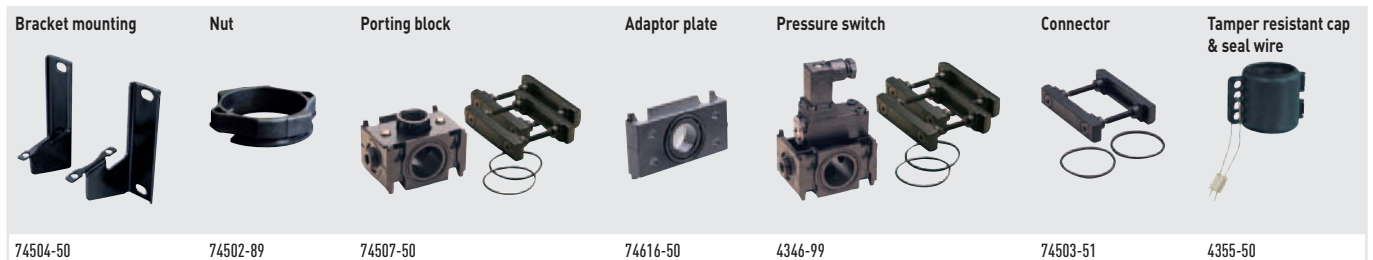


**Flow characteristics B64G**

Port size 1/2", 40 µm element, pressure range 0,3 ... 10 bar


**Flow characteristics B68G**

Port size 1", 40 µm element, pressure range 0,4 ... 8 bar


**Accessories B64**







<b>Single yoke</b> 	<b>End connector kit</b> 	<b>3/2 way Shut-off valve primary side</b> 	<b>3/2 way Shut-off valve secondary side</b> 	<b>Service kit, manual drain</b> 	<b>Service kit, automatic drain</b> 
<b>Thread</b>					
G 1/4	Y64A-2GA-N1N	—	T64T-2GB-P1N	T64T-2GC-P1N	B64G-KITM05R (5 µm)
G 3/8	Y64A-3GA-N1N	—	T64T-3GB-P1N	T64T-3GC-P1N	B64G-KITM40R (40 µm)
G 1/2	Y64A-4GA-N1N	74505-50	T64T-4GB-P1N	T64T-4GC-P1N	
G 3/4	Y64A-6GA-N1N*	74505-53	T64T-6GB-P1N	T64T-6GC-P1N	

\*These yokes are supplied with two end connector kits as standard.

**Gauge**  
 [full technical specification see datasheet 8.900.900]


Series	Port size	Pressure range in bar	Diameter	Model
64 (ISO G main port)	Rc 1/8	0 ... 6	50 mm	18-013-012
	Rc 1/8	0 ... 10	50 mm	18-013-013
	Rc 1/8	0 ... 25	50 mm	18-013-014

## Accessories B68

	Bracket mounting	Single yoke *	End connector kit	3/2 way Shut-off valve primary side	3/2 way Shut-off valve secondary side
					
<b>Thread</b>					
3/4"	18-001-979	Y68A-6GN-N1N	5524-55	T68H-6GB-B2N	T68H-6GC-B2N
1"	18-001-979	Y68A-8GN-N1N	5524-52	T68H-8GB-B2N	T68H-8GC-B2N
1 1/4"	18-001-978	Y68A-AGN-N1N	5523-52	T68H-AGB-B2N	T68H-AGC-B2N
1 1/2"	—	Y68A-BGN-N1N	5523-93	T68H-BGB-B2N	T68H-BGC-B2N

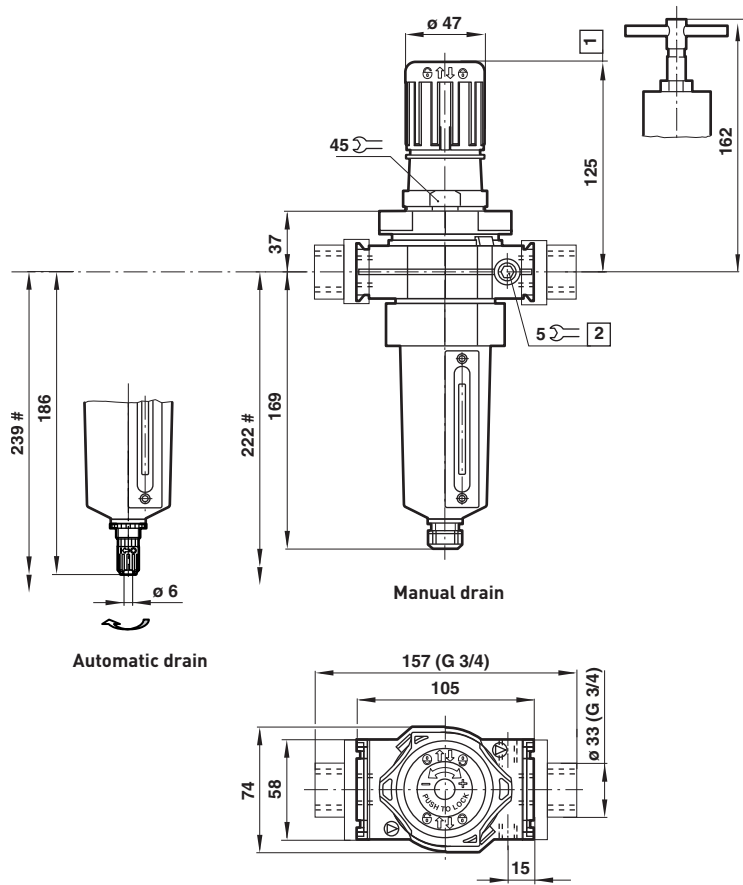
\* These yokes are supplied with two end connector kits as standard.

Nut	Tamper resistant cap & seal wire	Service kit, manual drain	Service kit, automatic drain
			
5520-89	4355-50	B68G-KITM05R (5 µm) B68G-KITM40R (40 µm)	B68G-KITA05R (5 µm) B68G-KITA40R (40 µm)

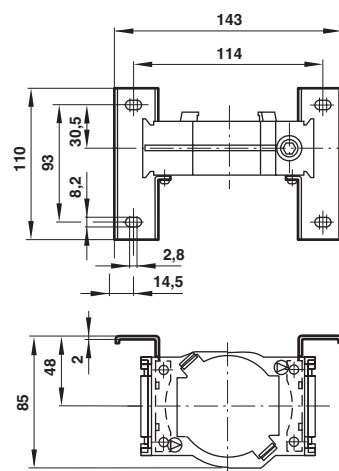
**Gauge**  
(full technical specification see datasheet 8.900.900)



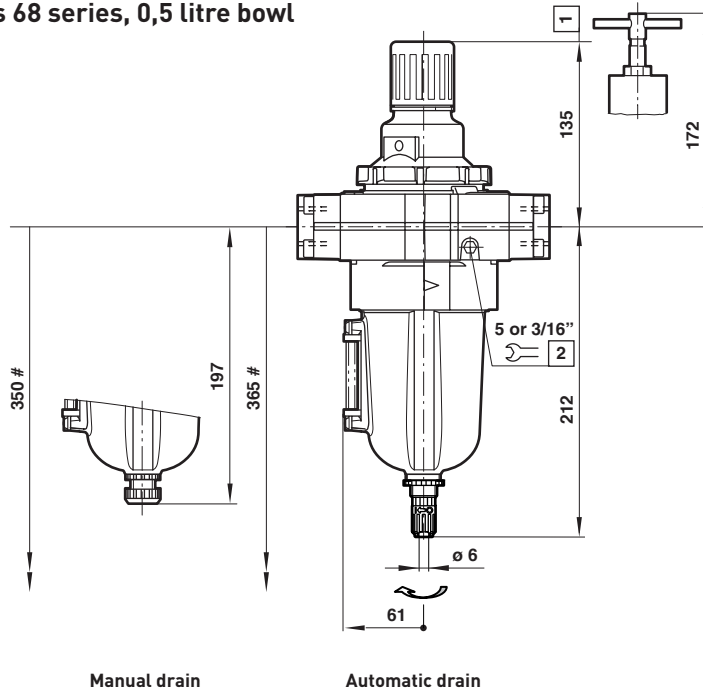
Series	Port size	Pressure range in bar	Diameter	Model
68 (ISO G main port)	Rc 1/8	0 ... 6	50 mm	18-013-012
	Rc 1/8	0 ... 10	50 mm	18-013-013
	Rc 1/8	0 ... 25	50 mm	18-013-014

**Basic dimensions 64 series**


- # Minimum clearance required to remove bowl
- 1 Reduces by 4 mm with knob in locked position
  - 2 Gauge port

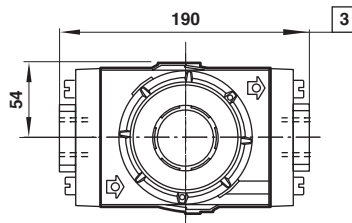
**Bracket mounting**


**Basic dimensions 68 series, 0,5 litre bowl**



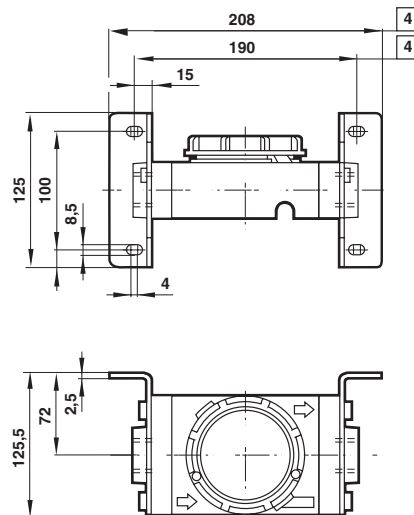
Manual drain

Automatic drain



- # Minimum clearance required to remove bowl
- 1 Reduces by 4 mm with knob in locked position
- 2 Gauge port
- 3 For 1 1/4" and 1 1/2" ported yokes add 10 mm

**Bracket mounting**



- 4 For 1 1/4" ported yokes add 10 mm

**Warning**

These products are intended for use in industrial compressed air and fluid systems only. Do not use these products where pressures and temperatures can exceed those listed under 'Technical features'.

Before using these products with fluids other than those specified, for non-industrial applications, life-support systems, or other applications not within published specifications, consult NORGREN.

Through misuse, age, or malfunction, components used in fluid power systems can fail in various modes.

The system designer is warned to consider the failure modes of all component parts used in fluid power systems and to provide adequate safeguards to prevent personal injury or damage to equipment in the event of such failure.

System designers must provide a warning to end users in the system instructional manual if protection against a failure mode cannot be adequately provided.

System designers and end users are cautioned to review specific warnings found in instruction sheets packed and shipped with these products.