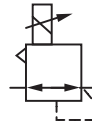


**422 fail freeze series**  
**Current to pressure**  
**(I/P) electronic converter**  
**G 1/4 or 1/4 NPT**

- Advanced electronic control**
- Fail freeze operation (output pressure retained on power failure)**
- Minimum vibration effects**
- IP65 environment protection**



**Technical features**

**Medium:**  
Oil free, dry air, filtered to 5 µm

**Output pressure:**  
0,2 ... 1 bar (3 ... 15 psi)

**Supply pressure:**  
at least 0,7 bar (10 psi) above maximum required output pressure maximum 2 bar (29 psi) gauge

**Flow capacity:**  
Up to 300NL/min

**Air consumption:**  
<0,4 NL/min

**Linearity:**  
≤0,5 % of span

**Hysteresis:**  
≤ 0,5 % of span

**Vibration effect:**  
≤0,5 % of span for vibration level up to 3 g, 5 ... 500 Hz in any orientation.

**Response time:**  
<8 sec (typically <3 sec) from 10 % ...90 % of output pressure into a 0,5 litre volume  
<8 sec (typically <3 sec) from 90 % ...10 % of output pressure into a 0,5 litre volume

**Temperature sensitivity:**  
Typically < 0,034 % span/°C between -10°C and +60°C (+14 and +140 °F)

**Supply sensitivity:**  
< 0,1% of span for full supply pressure range

**Port sizes:**  
Main ports: 1/4 NPT female  
Gauge ports: 1/4 NPT female

**I.P. Rating:**  
IP65

**Electromagnetic compatibility:**  
Compliant and CE marked in accordance with the EC Directive 2004/108/EC tested to BS EN 61000-6-2:2005, BS EN 61000-6-4:2007

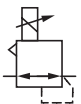
**Operating Temperature:**  
-20 ... +70°C [-4 ... +158°F]  
Air supply must be dry enough to avoid ice formation at temperatures below +2°C(+35°F).

**Maintenance**  
No user serviable parts

**Mounting position:**  
Operation in any orientation is possible without recalibration; integral surface mounting bracket provided for vertical mounting

**Materials**  
Body: zinc diecasting passivated and epoxy painted  
Cover: Glass reinforced nylon  
Diaphragms: NBR

**Technical data**

Symbol	Output pressure	Weight (kg)	Model
	0.2-1 bar	0,98	AC2100
	3-15 psi	0,98	AC0100

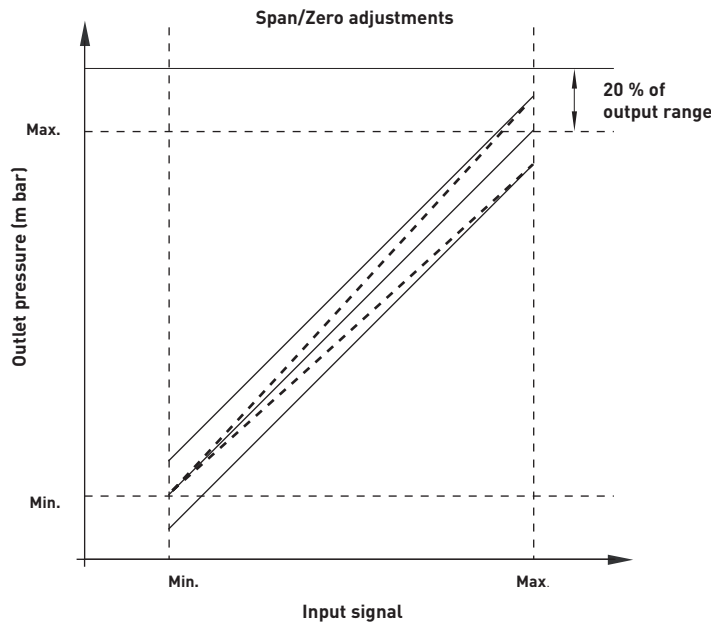
- Options to special order:
- Alternative pressure ranges
  - Conduit entry (M20 / ½" NPT)
  - 50mm pipe mounting bracket
  - Captured Bleed

For other port sizes or options please contact your sales representative.

**Electrical parameters**

<b>Input Signal</b>	4-20 mA (two wire). Terminal voltage typically 7,5 V at 20 mA
<b>Failure Mode</b>	Output pressure held at previous value when input signal fails; drift rate 0.02 % in 30 seconds
<b>Overload protection</b>	100 mA max. overload current. Unit unaffected by short duration reverse current
<b>Connections</b>	30mm square connector provided (DIN 43650, form A) mountable in 4 directions
<b>Span/Zero</b>	Independently adjustable up to 20 % output range

### Characteristic curves

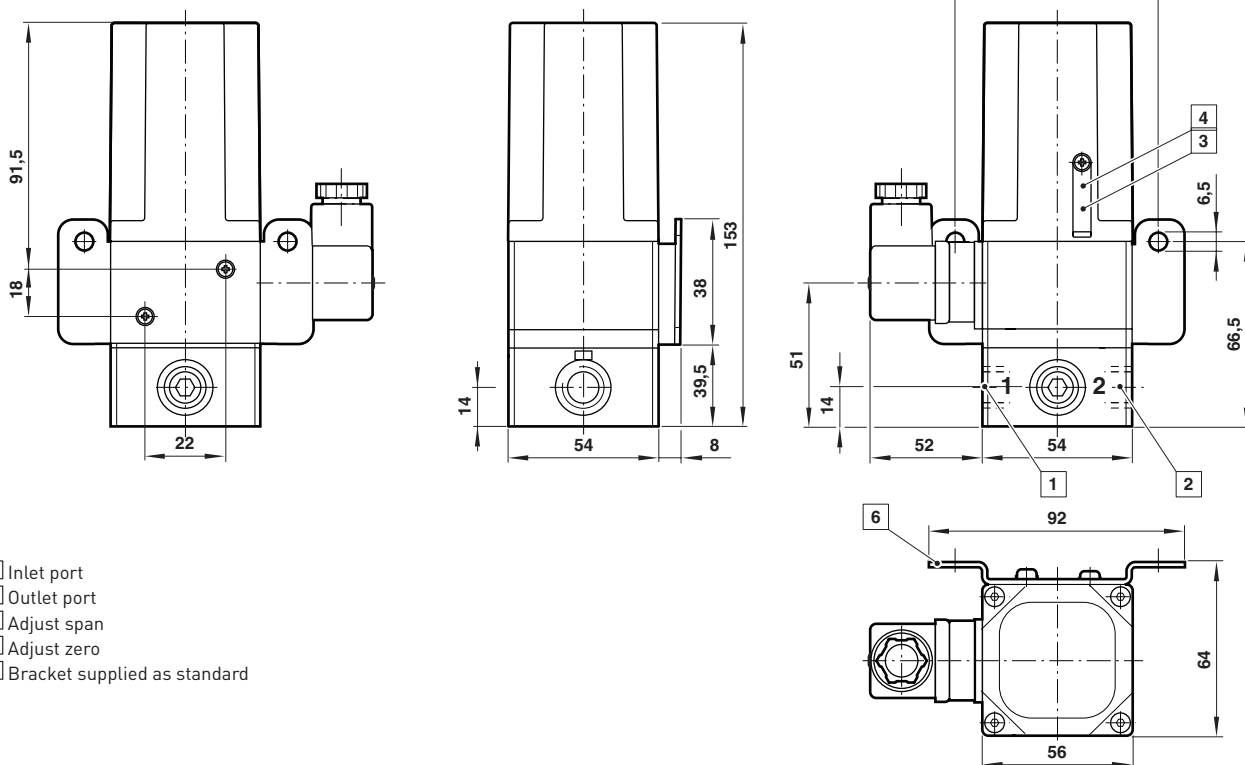


Dimensions shown in mm

Projection/First angle



### Dimensions



- 1 Inlet port
- 2 Outlet port
- 3 Adjust span
- 4 Adjust zero
- 6 Bracket supplied as standard

### Warning

These products are intended for use in industrial compressed air systems only. Do not use these products where pressures and temperatures can exceed those listed under »**Technical features**«.

Before using these products with fluids other than those specified, for non-industrial applications, life-support systems, or other applications not within published specifications, consult NORGREN.

Through misuse, age, or malfunction, components used in fluid power systems can fail in various modes.

The system designer is warned to consider the failure modes of all component parts used in fluid power systems and to provide adequate safeguards to prevent personal injury or damage to equipment in the event of such failure.

System designers must provide a warning to end users in the system instructional manual if protection against a failure mode cannot be adequately provided.

System designers and end users are cautioned to review specific warnings found in instruction sheets packed and shipped with these products.