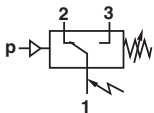


# Electro-mechanical pneumatic pressure switches

ATEX certified

20D Low pressure 0 ... 0,6 bar  
G 1/4



Switching function:  
Microswitch SPDT  
(commutator)

Terminals 1 - 3:  
Contacts close on  
rising pressure

Terminals 1 - 2:  
Contacts open on  
rising pressure

For Ex zones 1 and 2 (gases) as well as Ex zones 21 and 22 (dusts) category II2G, type of protection EEx de IIC T6

Microswitch with gold plated contacts

Electrical connection: connector  
M20 x 1,5 (DIN 46320)

Robust metal housing - weather resistant

## TECHNICAL DATA

### Medium:

For neutral, gaseous fluids, non combustible

### Temperature:

Fluid, ambient: -10\* ... +75°C

\*Please contact our technical service for use below +2°C.

### Switching pressure difference/hysteresis:

Fixed

### Repeatability:

±1% of final value

(depending on regulating pressure)

### Switching pressure difference/hysteresis:

Fixed - option

Adjustable - option

### Degree of protection:

IP65

### Mounting:

Optional

Resistance to shocks and vibrations (avoid if possible):  
4 g max. (sinusoidal), max. 5 Hz

### Sealing:

≤ 10<sup>-7</sup> mbar • l • s<sup>-1</sup>

### Pulsations:

Not permitted

### Switching cycles:

max. 20/min

## MATERIALS

Body: aluminium diecast anodised

Sensor: stainless steel

Seals: NBR diaphragm

## 20D Pneumatic ATEX - low pressure - fixed switching pressure difference

Switching pressure range * <sup>1)</sup> (bar)	Max. over pressure * <sup>2)</sup> (bar)	Switching pressure difference typical value		Fluid/fluid contact parts wetted parts	Sensor	Port size	MODELS
		Lower range (bar)	Upper range (bar)				
0 ... 0,16	0,5	0,015	0,02	Pneumatic / 1.4305/1.4301	K	G 1/4	1842715
0 ... 0,6	15	0,06	0,16	Pneumatic / 1.4305/1.4301	L	G 1/4	1844115

## 20D Pneumatic ATEX - low pressure - adjustable switching pressure difference

Switching pressure range * <sup>1)</sup> (bar)	Max. over pressure * <sup>2)</sup> (bar)	Switching pressure difference typical value		Fluid/fluid contact parts wetted parts	Sensor	Port size	MODELS
		Lower range (bar)	Upper range min. (bar) max. (bar)				
0 ... 0,16	0,5	0,007	0,025 0,12	Pneumatic / 1.4305/1.4301	K	G 1/4	1852715
0 ... 0,6	15	0,09	0,16 0,8	Pneumatic / 1.4305/1.4301	L	G 1/4	1854115

\*<sup>1)</sup> Atmospheric air pressure.

\*<sup>2)</sup> Short term pressure peaks should not exceed this value. Normal operation should be within switching pressure range. Final value/over pressure equals maximum test pressure.

For further information



[www.norgren.com/info/en5-020](http://www.norgren.com/info/en5-020)

## ACCESSORIES

### Brackets



0574772 (steel)  
0553908 (stainless steel)  
0551894 (stainless steel G1/2)

### Surge damper



0553258 (stainless steel G1/4)  
0574773 (brass/steel) G1/4

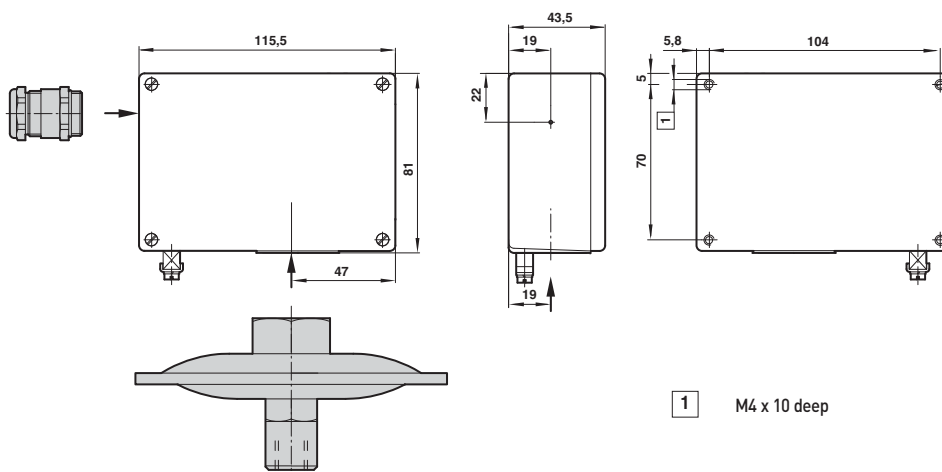
### Pressure port reducing nipple



0553831 (G1/2 ... 1/2 NPT)  
0550083 (G1/4 ... G1/2)  
0574764 (G1/4 ... G3/8)  
0574765 (G1/4 ... 1/4 NPT)

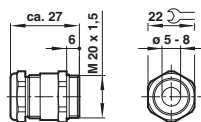
Recommended Circuit - Spark quenching / Intrinsically safe operation with DC voltage, see Standard 20D on page 5-017.  
Accessories dimensional drawings - see standard 20D on page 5-018

## BASIC DIMENSIONS



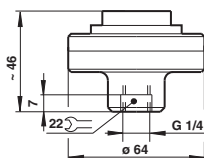
### Electrical connection

Connection conforming to EEx e (ATEX),  
Brass nickel-plated for cable  $\varnothing$  5 ... 8 mm (Model: 0588819)



### Sensor type

L



### Sensor type

K

