



# Cuplaj cu arc în serpentină

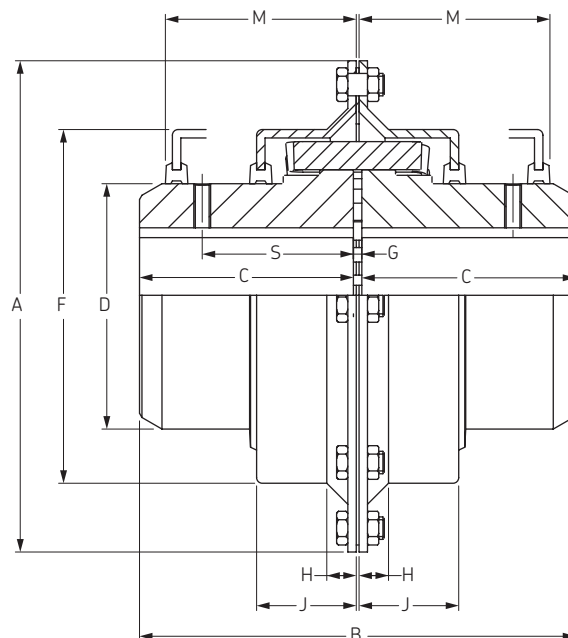
Carcasa separabilă transversal

- ▶ ..... Curele
- ▶ ..... Lanțuri
- ▶ ..... Cuplaje
- ▶ ..... Bucse
- ▶ ..... Roți de lanț
- ▶ ..... Roți de curea
- ▶ ..... Sucle inteligente

## Coduri pentru comandă

Mărime	Codificare butuc	Codificare griă	Codificare carcasă
1020	PHE 1020TGRSB	PHE 1020TGGRID	PHE 1020TGVCOVER
1030	PHE 1030TGRSB	PHE 1030TGGRID	PHE 1030TGVCOVER
1040	PHE 1040TGRSB	PHE 1040TGGRID	PHE 1040TGVCOVER
1050	PHE 1050TGRSB	PHE 1050TGGRID	PHE 1050TGVCOVER
1060	PHE 1060TGRSB	PHE 1060TGGRID	PHE 1060TGVCOVER
1070	PHE 1070TGRSB	PHE 1070TGGRID	PHE 1070TGVCOVER
1080	PHE 1080TGRSB	PHE 1080TGGRID	PHE 1080TGVCOVER
1090	PHE 1090TGRSB	PHE 1090TGGRID	PHE 1090TGVCOVER
1100	PHE 1100TGRSB	PHE 1100TGGRID	PHE 1100TGVCOVER
1110	PHE 1110TGRSB	PHE 1110TGGRID	PHE 1110TGVCOVER
1120	PHE 1120TGRSB	PHE 1120TGGRID	PHE 1120TGVCOVER
1130	PHE 1130TGRSB	PHE 1130TGGRID	PHE 1130TGVCOVER
1140	PHE 1140TGRSB	PHE 1140TGGRID	PHE 1140TGVCOVER
1150	PHE 1150TGRSB	PHE 1150TGGRID	PHE 1150TGVCOVER
1160	PHE 1160TGRSB	PHE 1160TGGRID	PHE 1160TGVCOVER
1170	PHE 1170TGRSB	PHE 1170TGGRID	PHE 1170TGVCOVER
1180	PHE 1180TGRSB	PHE 1180TGGRID	PHE 1180TGVCOVER
1190	PHE 1190TGRSB	PHE 1190TGGRID	PHE 1190TGVCOVER
1200	PHE 1200TGRSB	PHE 1200TGGRID	PHE 1200TGVCOVER

Un cuplaj complet conține 2 semicuple, 1 arc serpentină și 1 carcasă.



## Caracteristici tehnice

Mărime	KW la 100 rpm	Moment nominal Nm	Turație maximă rpm	Diametru alezaj		Dimensiuni (mm)								G (mm)			Greutate cuplaj kg	Greutate cuplaj kg	
				Min	Max	A	B	C	D	J	F	H	M	S	Min	Normal			Max
1020	0.51	48	4500	12	30	111	98.0	47.5	39.7	24	64	10	48	39	1.5	3.0	4.5	2	0.03
1030	1.44	135	4500	12	36	121	98.0	47.5	49.2	25	73	10	48	39	1.5	3.0	4.5	2.6	0.04
1040	2.40	226	4500	12	44	128	104.6	50.8	57.1	26	83	10	51	40	1.5	3.0	4.5	3.4	0.05
1050	4.20	395	4500	12	50	148	123.6	60.3	66.7	31	99	12	60	45	1.5	3.0	4.5	5.4	0.05
1060	6.60	622	4350	19	57	162	130.0	63.5	76.2	32	111	13	64	52	1.5	3.0	4.5	7.3	0.09
1070	9.69	904	4125	19	65	173	155.4	76.2	87.3	34	124	13	67	54	1.5	3.0	4.5	10	0.12
1080	20.13	1865	3600	27	79	200	180.8	88.9	104.8	44	149	13	89	65	1.5	3.0	6.0	18	0.17
1090	35.79	3390	3600	27	95	232	199.8	98.4	123.8	48	168	13	95	72	1.5	3.0	6.0	25	0.25
1100	60.40	5707	2440	41	107	267	245.7	120.6	142.0	60	197	16	121	-	1.5	4.5	9.5	42	0.43
1110	90.23	8477	2250	41	117	286	258.5	127.0	160.3	64	216	16	124	-	1.5	4.5	9.5	54	0.51
1120	131.99	12433	2025	60	136	319	304.4	149.2	179.4	73	244	17	143	-	1.5	6.0	12.5	81	0.73
1130	191.64	18084	1800	66	165	378	329.8	161.9	217.5	75	282	21	146	-	1.5	6.0	12.5	122	0.91
1140	275.91	25996	1650	66	184	416	371.6	182.8	254.0	78	321	21	155	-	1.5	6.0	12.5	180	1.13
1150	384.04	36168	1500	108	203	476	371.8	182.9	269.2	107	374	19	203	-	1.5	6.0	12.5	230	1.95
1160	539.89	50862	1350	120	228	533	402.2	198.1	304.8	114	424	30	216	-	1.5	6.0	12.5	321	2.81
1170	719.60	67816	1225	133	279	584	437.8	215.9	355.6	119	474	30	226	-	1.5	6.0	12.5	448	3.49
1180	997.75	94037	1100	152	311	630	483.6	238.8	393.7	130	-	-	-	-	1.5	6.0	12.5	591	3.76
1190	1319.89	124328	1050	152	339	685	524.2	259.1	436.9	135	-	-	-	-	1.5	6.0	12.5	761	4.40
1200	1799.37	169538	900	177	361	737	564.8	279.4	497.8	145	-	-	-	-	1.5	6.0	12.5	1021	5.62